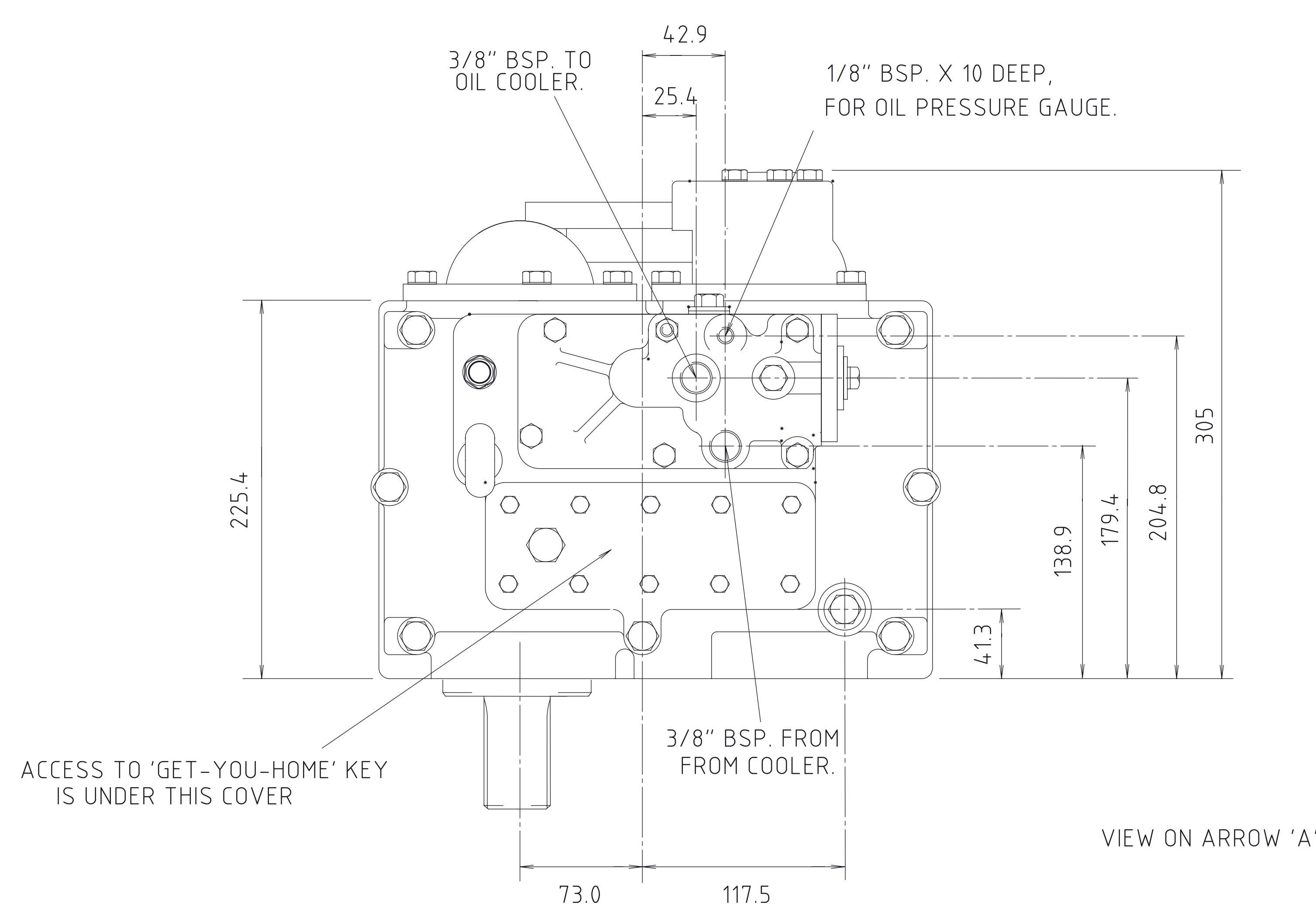
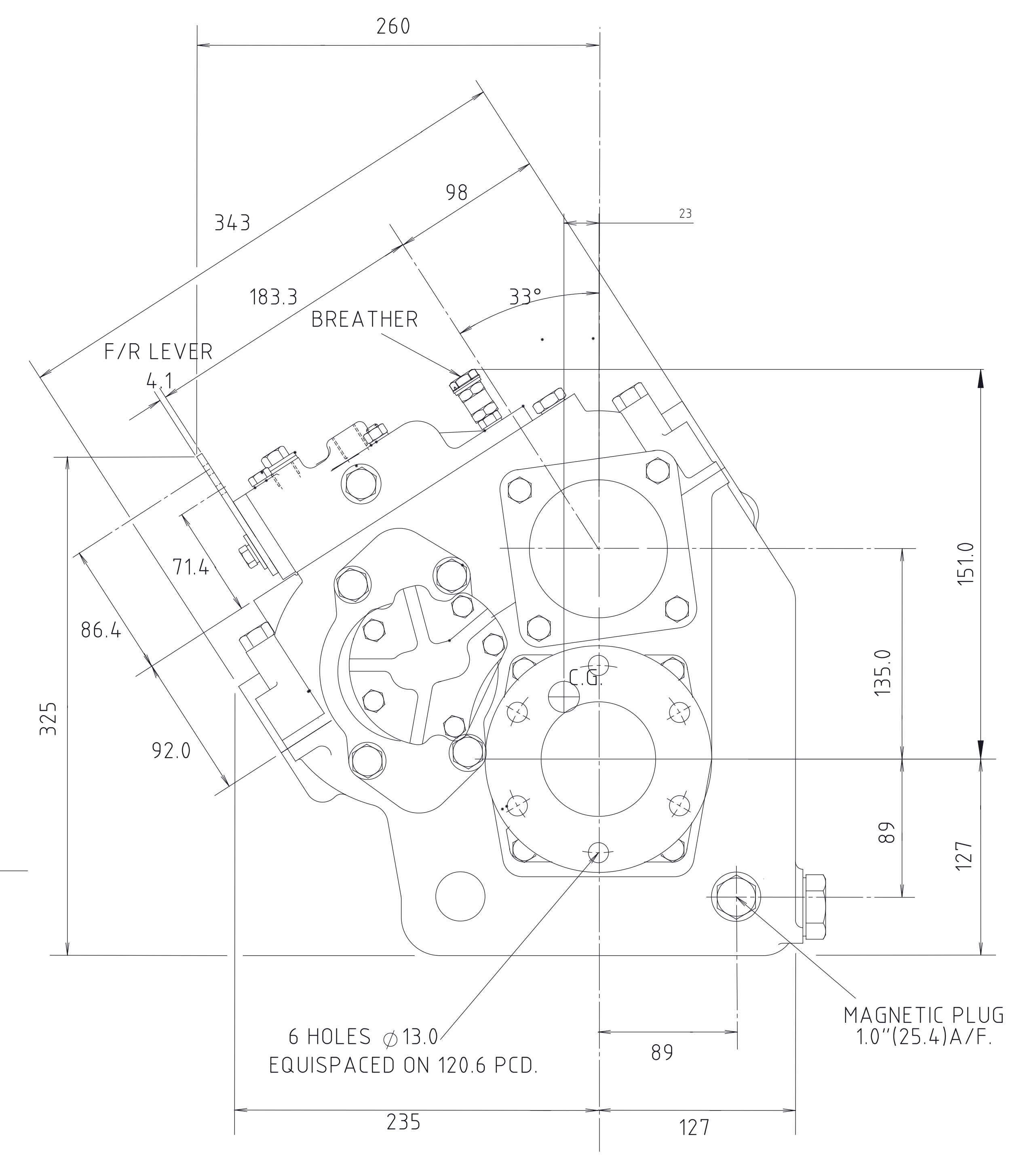
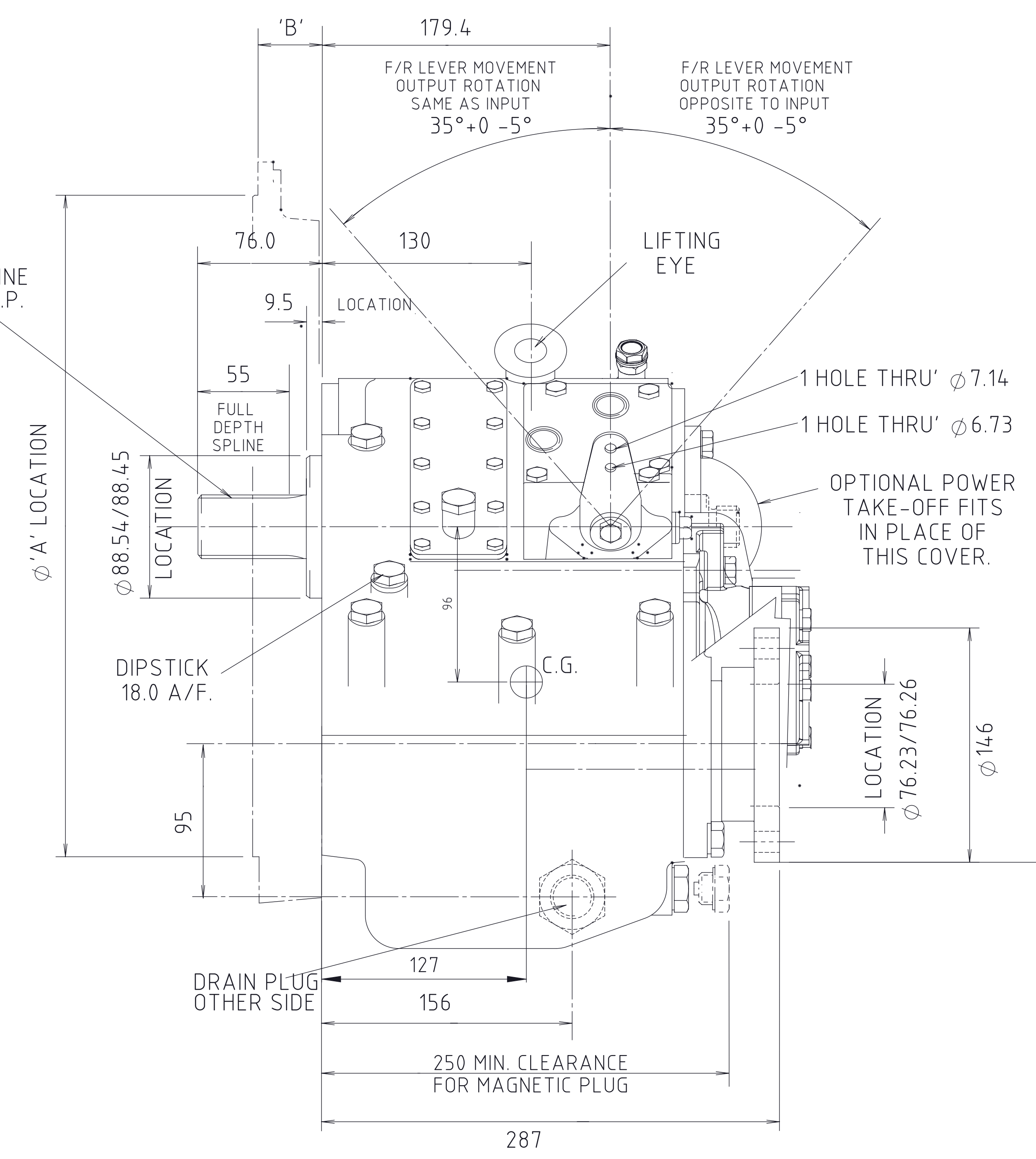
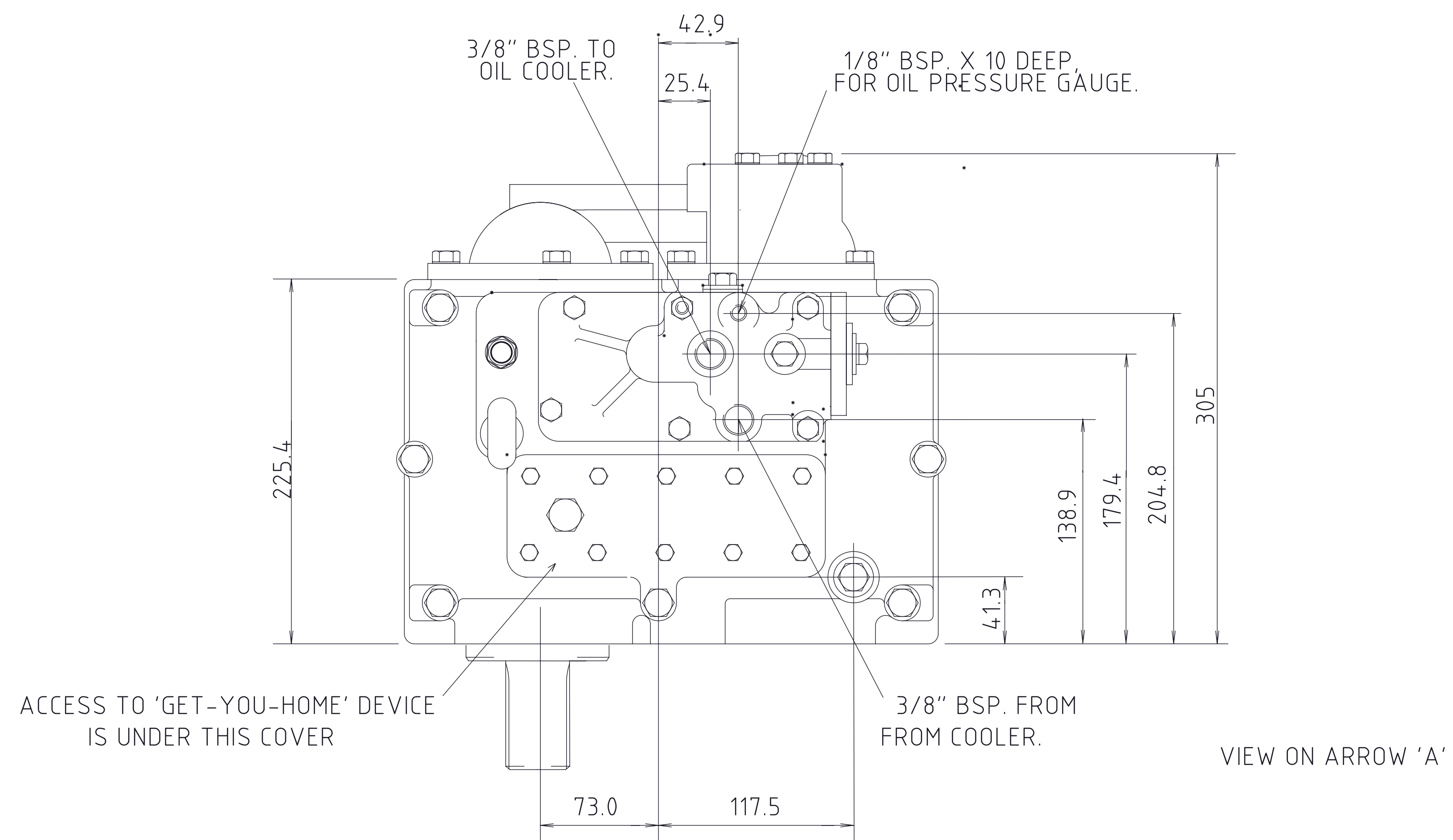
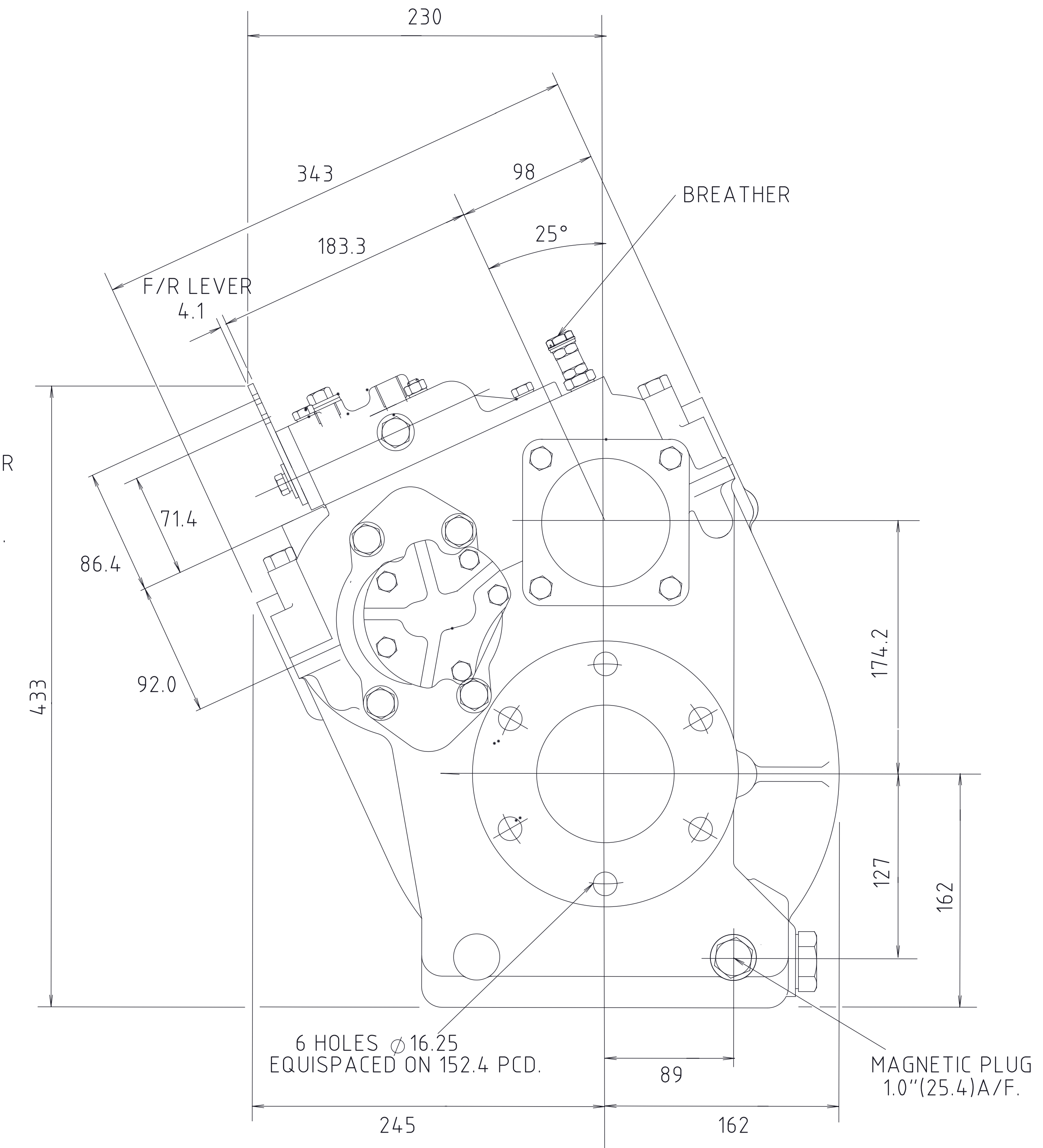
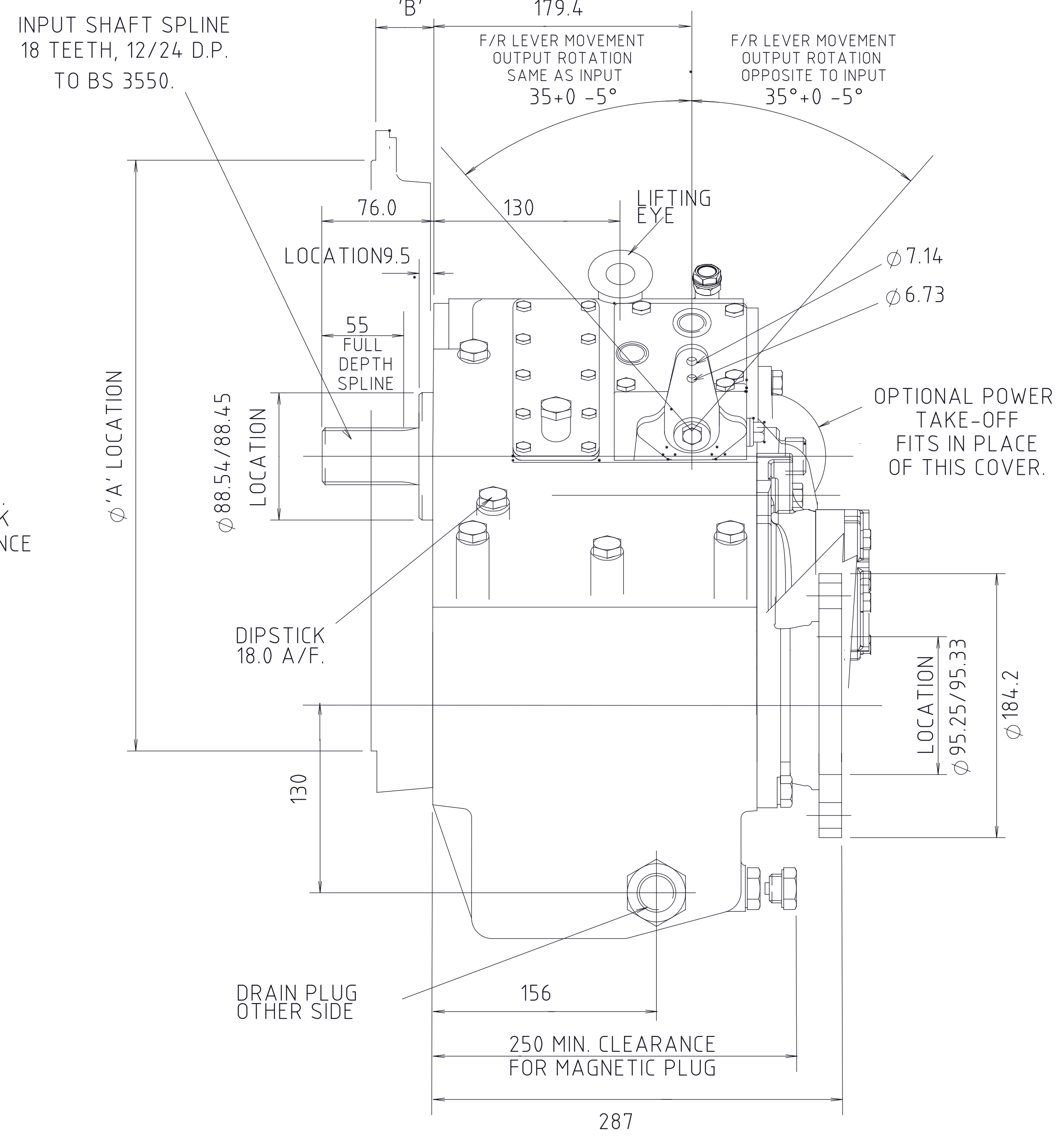
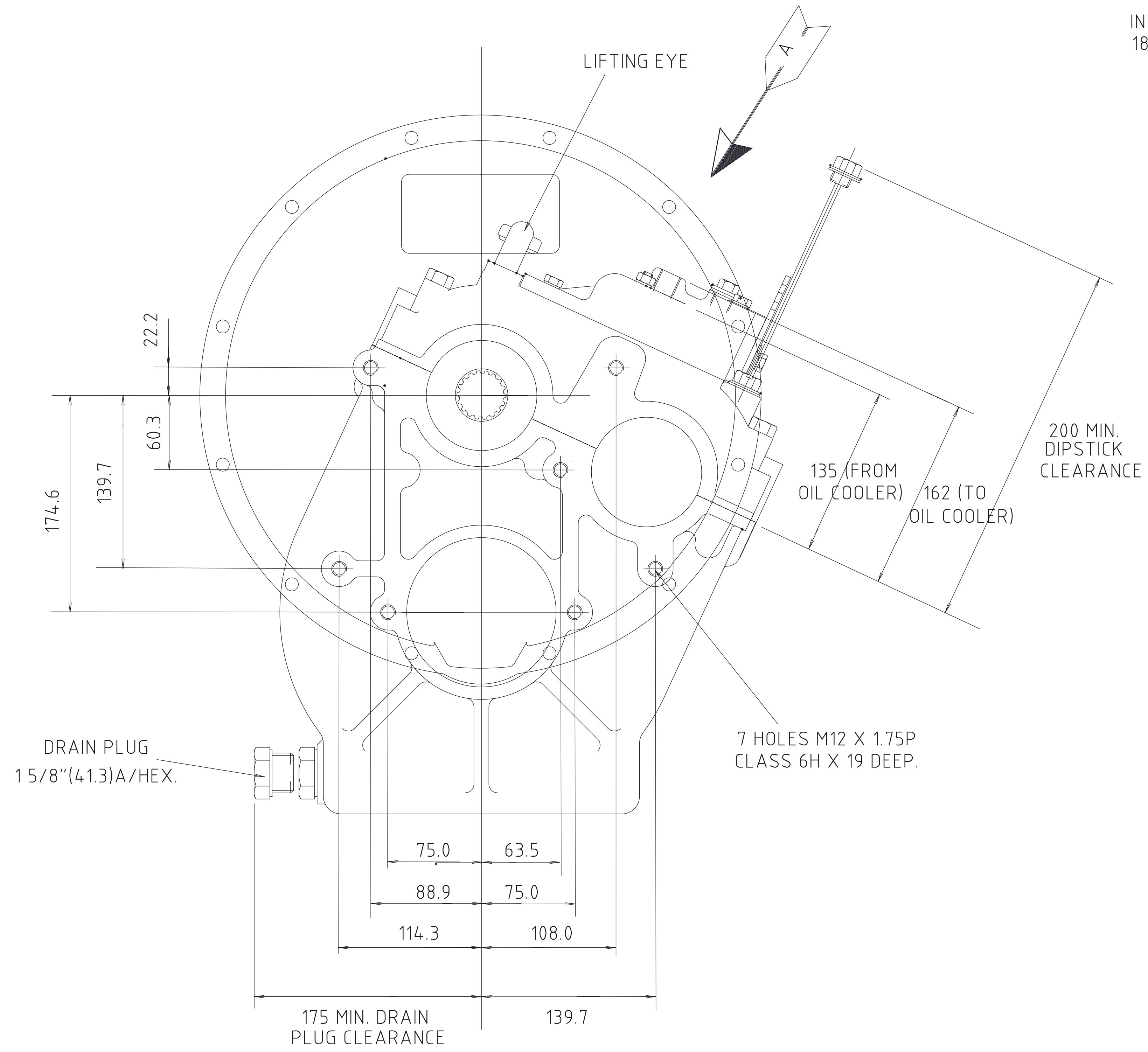


INPUT SHAFT SPLINE
 18 TEETH, 12/24 D.P.
 TO BS 3550.



PRM1000D



PRM1000D4