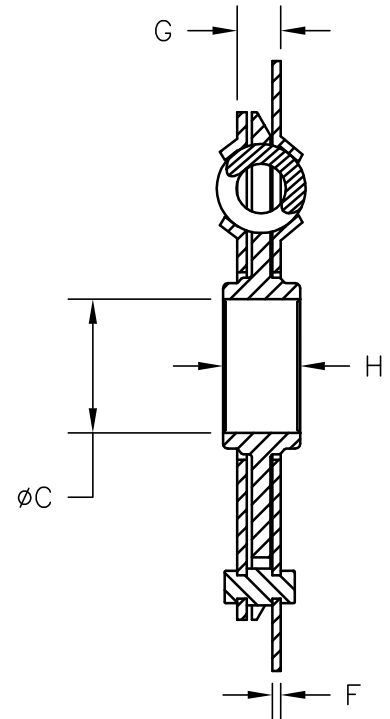
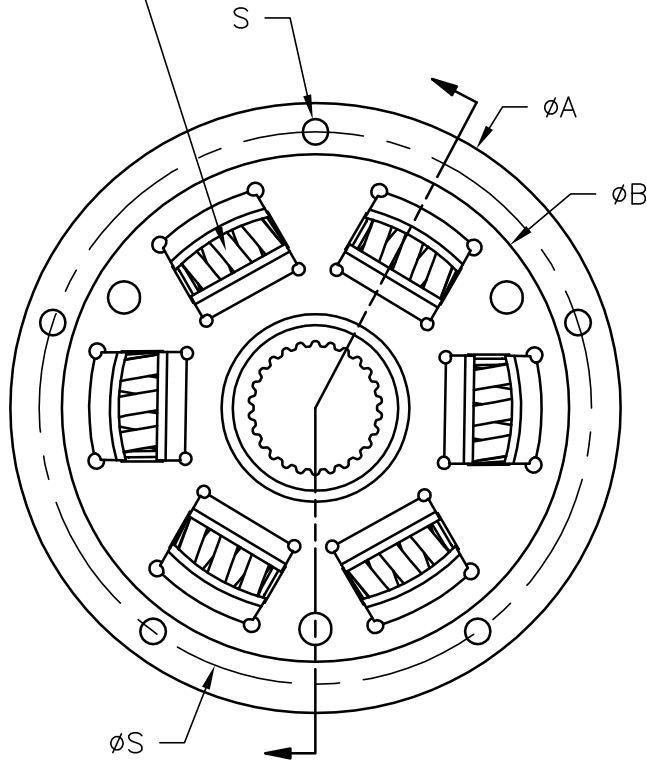


ORANGE
SPRING



DAMPER INFORMATION

THCK G: 0.440
[11.18]

APPLICATION

DAMPER

TEETH: 26

TORQUE: 332 ft lb
450.131 Nm

THCK H: 0.780
[19.81]

NOTES:

OEM # 1004-650-002
OEM # AS4-K1C

DIA A: 6.18 [156.97]	HOLE DIA S: 0.258 [6.55]	HOLE DIA X: N/A	HOLE DIA Y: N/A	HOLE DIA Z: N/A	OAT: 0.865 [21.97]
-------------------------	-----------------------------	-----------------	-----------------	-----------------	-----------------------

DIA B: 5.145 [130.68]	HOLE DIA T: N/A	HOLE DIA Y: N/A	HOLE DIA Z: N/A	HOLE DIA W: N/A	SCALE: NONE
--------------------------	-----------------	-----------------	-----------------	-----------------	-------------

DIA C: 1.35 [34.29]	HOLE DIA U: N/A	HOLE DIA S: 5.595 [142.11]	HOLE DIA X: N/A	HOLE DIA Z: N/A	DRAWN BY: JMS
------------------------	-----------------	-------------------------------	-----------------	-----------------	---------------

DIA D: N/A	HOLE DIA V: N/A	HOLE DIA Y: N/A	HOLE DIA Z: N/A	HOLE DIA W: N/A	CHECKED BY: CDH
------------	-----------------	-----------------	-----------------	-----------------	-----------------

DIA E: N/A	HOLE DIA W: N/A	HOLE DIA Y: N/A	HOLE DIA Z: N/A	THCK F: 0.083 [2.11]	
------------	-----------------	-----------------	-----------------	-------------------------	--



PART NUMBER

DA-102

REV: IR