

**JABSCO®**

# Washdown Pump

**WASHDOWN PUMP****50 PSI (3.5 BAR) / 3.0 GPM (11.4 LPM)****60 PSI (4.1 BAR) / 4.0 GPM (15.1 LPM)****FEATURES**

- | High Pressure / High capacity
- | Suitable for Use with Salt Water
- | Corrosion Resistant
- | Dry Running Capability
- | Long Life Sealed Motor

**SPECIFICATIONS**

- | Pump - Polypropylene
- | Pump Design - 3 Chamber Diaphragm
- | Suction Lift - Self Priming to 8 ft. (2.5 m)
- | Ports 3/4" (19 mm) Hose Barb Fittings
- | Motor - Permanent Magnet
- | ISO 8846 MARINE (Ignition Protection)

**WARNING - FIRE AND EXPLOSION HAZARD**

Installation site must be well vented and free of all flammable materials and fluids (fuel, oil, kerosene, etc) from area. Failure to comply may result in fire, damage to the pump and /or personal injury or death.

**DANGER - REDUCE THE RISK OF ELECTRIC SHOCK**

Disconnect power from the system before working on the unit to avoid personal injury, damage to the surrounding environment and/or damage to the unit.

NOTE: Always follow all electrical and safety codes, in accordance with the most recent National Electrical Code (NEC), ABYC E-11, AC and DC Electrical Systems on Boats.

**CAUTION - BURN HAZARD**

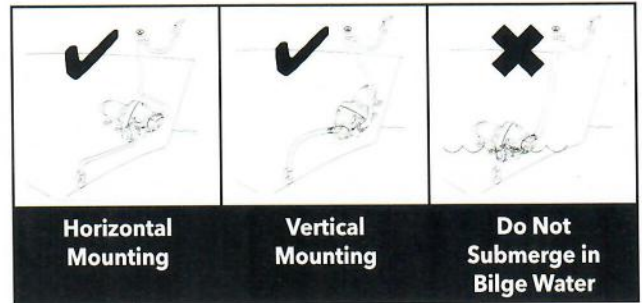
Motor case could get hot during extended operation. Prolonged contact with skin may cause a burn.



**CAUTION:** This appliance can be used by children aged from 8 years and above and persons with reduced physical, sensory or mental capabilities or lack of experience and knowledge if they have been given supervision or instruction concerning use of the appliance in a safe way and understand the hazards involved. Children shall not play with the appliance. Cleaning and user maintenance shall not be made by children without supervision.

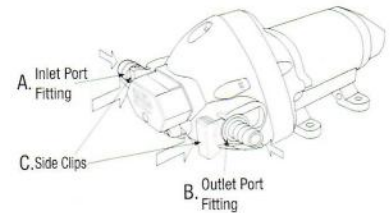


**WARNING:** Do not use a pump if it presents some damage such as burned or broken pressure switch, exposed electric wire and/or contacts.

**Mounting:****Horizontal Mounting****Vertical Mounting****Do Not Submerge in Bilge Water****Installation:**

1: Remove shipping plugs from the pump ports.

2: Connect hose to snap fittings provided (A) and strainer. Use 3/4" (19 mm) braided reinforced hose and a worm clamp for hose connection to all fittings.



3: Fasten pump to a flat surface using grommets provided. Do not over tighten screws to allow grommets to absorb vibration.

4: Insert Pumpgard™ strainer into pump intake port (A). Insert outlet fitting to pump outlet (B). Snap the clip (C) closed to retain the strainer and fitting firmly in the pump body.

**WARNING - SAFETY PRECAUTION**

This is a high pressure pump. Prior to activation, ensure that the hose clamps, discharge hose and snap fittings are secure. The pump must be properly anchored to a solid surface.

**Electrical:**

Failure to follow the procedures below will void the product warranty and/or cause possible harm to persons or pump. In accordance with ABYC E-11, AC and DC Electrical Systems on Boats guidelines.

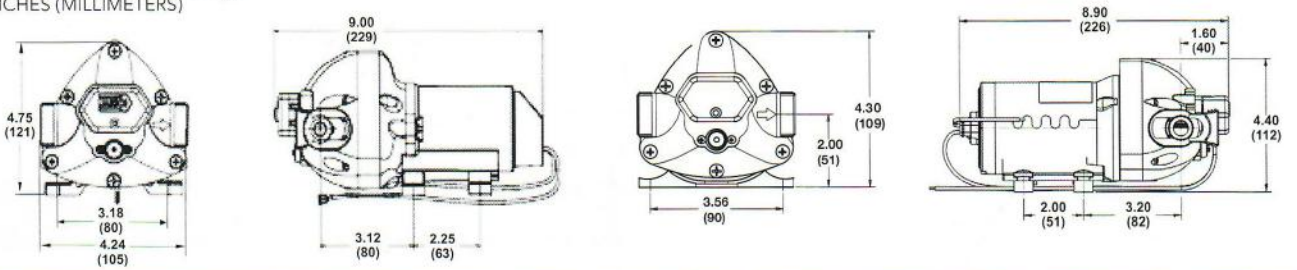
Please reference Illustration A on fold out panel for wiring instructions.

**Operation:**

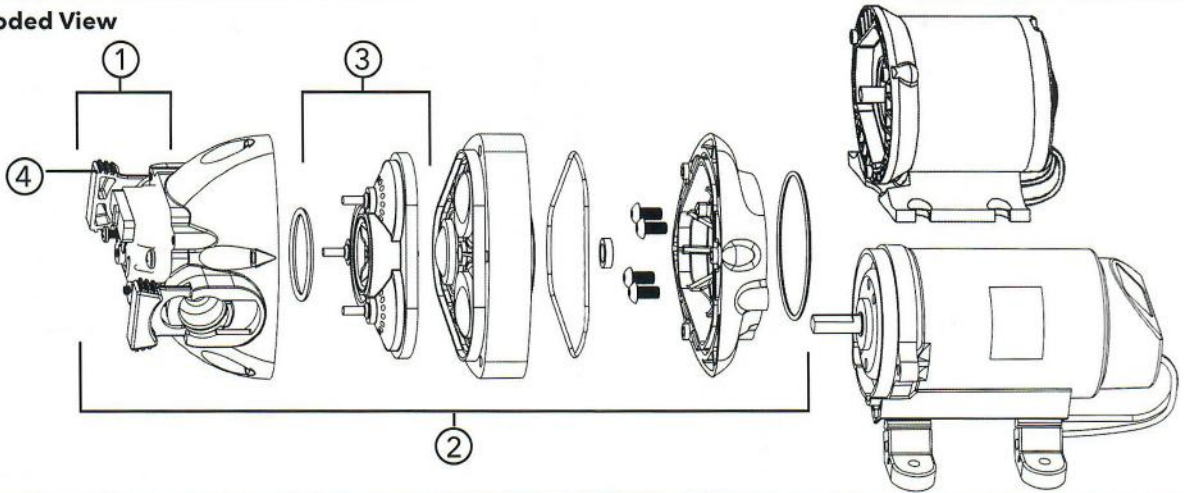
- 1: Open seacock.
- 2: Open hose bib and/or pressure nozzle.
- 3: Turn on pump.
- 4: Close pressure nozzle/hose bib when water runs free of air. Pump is now ready for automatic demand operation.
- 5: For prolonged operation, pump must operate at full open flow or motor will overheat.

**NOTE: Do not operate longer than 15 min. continuously!**

**Dimensional Drawings**  
INCHES (MILLIMETERS)



**Exploded View**



**Model Reference 43000-1820**

Model	Voltage	Max Amp	Fuse	Flow GPM (LPM)	Pressure PSI (BAR)	Spray Nozzle Included	Hose Coil Included
32305-0092	12 VDC	10 A	15 A	3.0 (11.3)	50 (3.5)	Yes	No
32305-0094	24 VDC	5 A	10 A	3.0 (11.3)	50 (3.5)	Yes	No
32305-XXXX	Consult factory for other configurations						
32901-0092	12 VDC	10 A	15 A	3.0 (11.3)	50 (3.5)	Yes	Yes
32901-0094	24 VDC	5 A	10 A	3.0 (11.3)	50 (3.5)	Yes	Yes
32901-XXXX	Consult factory for other configurations						
32605-0092	12 VDC	15 A	20 A	4.0 (15.1)	60 (4.1)	Yes	No
32605-0094	24 VDC	7 A	10 A	4.0 (15.1)	60 (4.1)	Yes	No
32605-XXXX	Consult factory for other configurations						
32900-0092	12 VDC	15 A	20 A	4.0 (15.1)*	60 (4.1)	Yes	Yes
32900-0094	24 VDC	7 A	10 A	4.0 (15.1)**	60 (4.1)	Yes	Yes
32900-XXXX	Consult factory for other configurations						

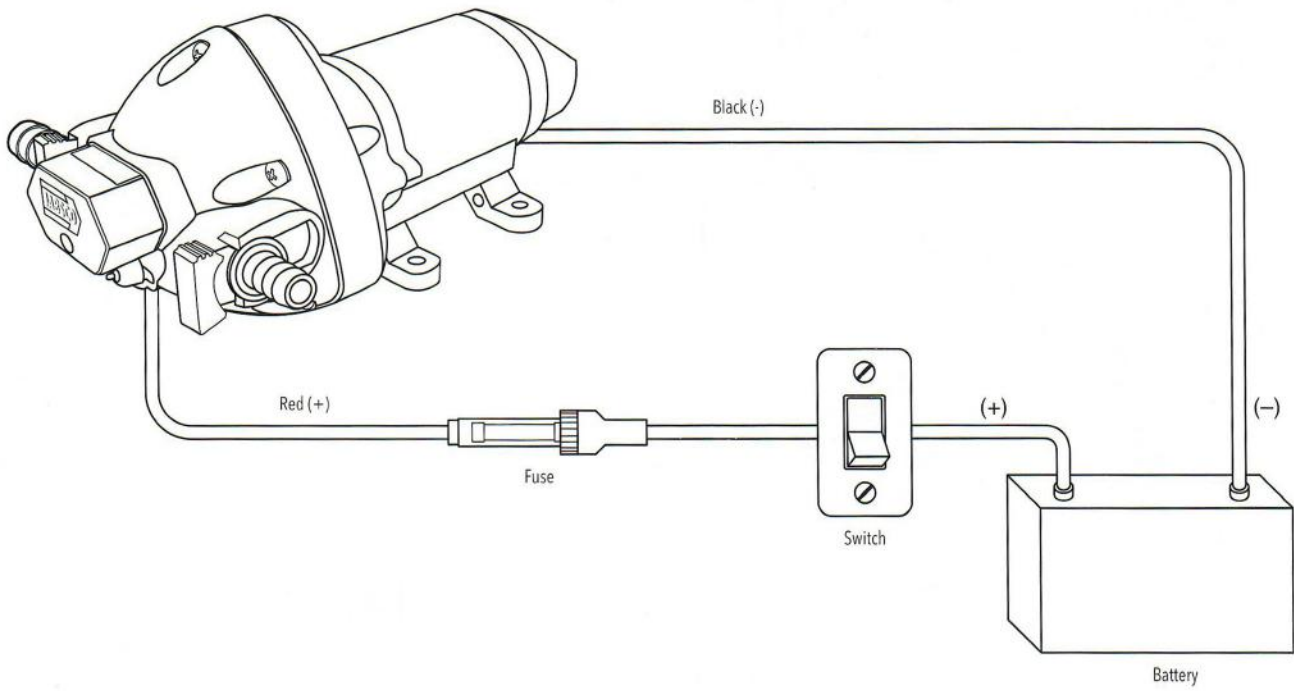
\*The flow rate was taken at 13 VDC

\*\*The flow rate was taken at 25 VDC

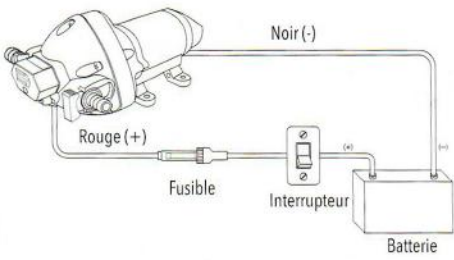
Where "X" can be any alphanumeric digit.

**Parts List**

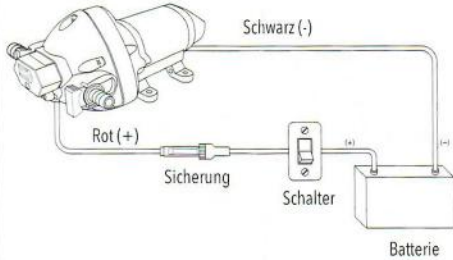
KEY	Description	Series			
		32305-32901	32605-32900		
1	Pressure Switch	18916-1050	18916-1060		
2	Pumphead Assembly	18914-1050	18914-1060		
3	Valve Kit	18911-1030	18911-1030		
4	Slide Clips (Pair)	30647-1000	30647-1000		
	Pumpgard Strainer	46400-9500	46400-9500		
	Spray Nozzle US	30703-1000	30703-1000		
	Spray Nozzle EC	30704-1000	30704-1000		
	Assembly Hose Kit	Series 32305	Series 32901	Series 32605	Series 32900
		N/A	31910-1225	N/A	31910-1225



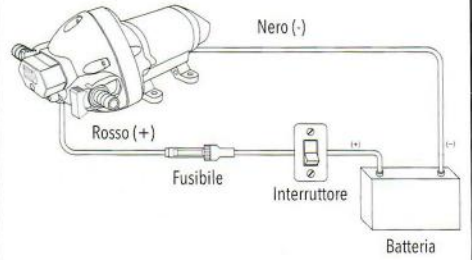
**FR**



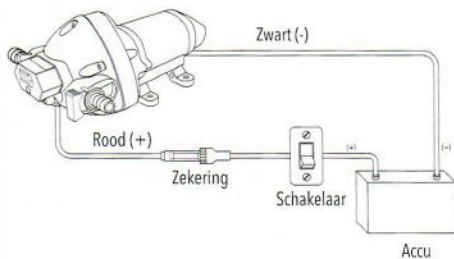
**DE**



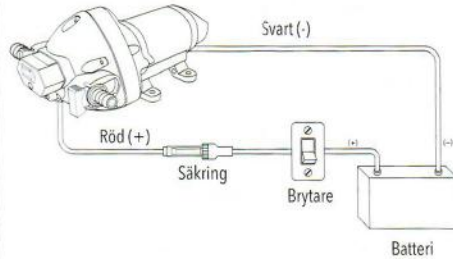
**IT**



**NL**



**SE**



**ES**

