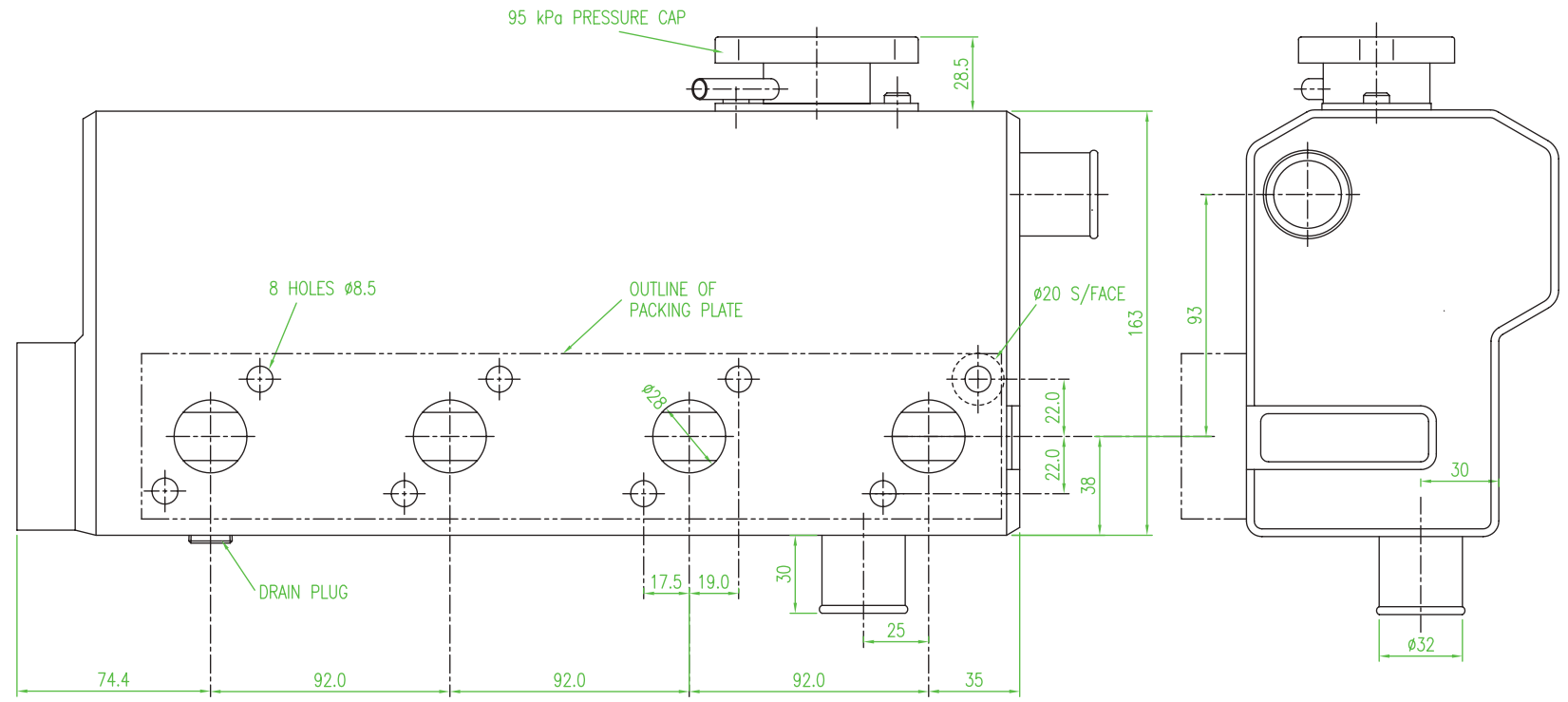
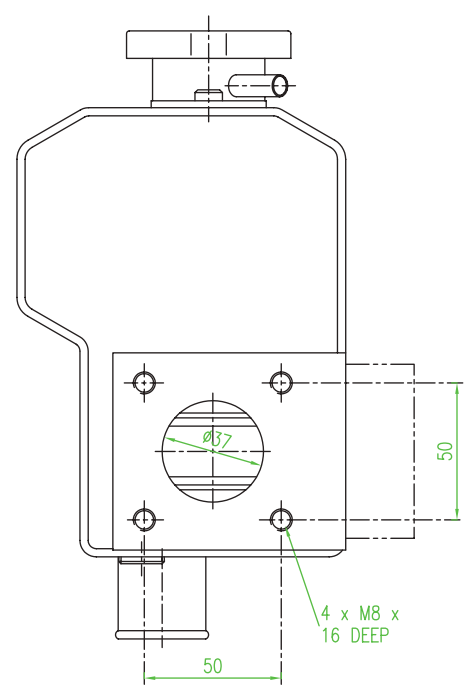
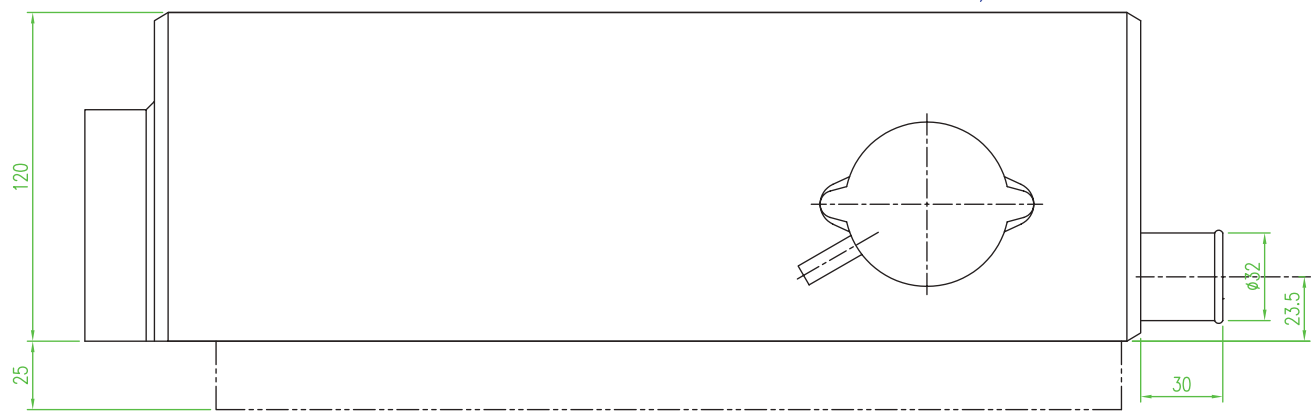


ALL DIMENSIONS IN MILLIMETRES UNLESS SHOWN OTHERWISE DO NOT SCALE, IF IN DOUBT ASK

THIS DOCUMENT IS COPYRIGHT AND CONTAINS CONFIDENTIAL INFORMATION WHICH MUST NOT BE COPIED WHOLLY OR IN PART NOR DISCLOSED TO ANY PERSON WITHOUT THE PRIOR WRITTEN AUTHORIZATION OF THERMEX LTD.  
© THERMEX LTD



- NOTES**
1. TEST PRESSURES ASSEMBLY 2 BAR(AUW)
  2. Stamp Serial Number into exhaust block.

607040	PACKING PLATE	ALUMINIUM	BS1474 6082 T6
	BODY	ALUMINIUM	BS1470 6082
700927	EXTRUSION	ALUMINIUM	BS1474 6063 T6
<b>PART NO</b>	<b>COMPONENT</b>	<b>MATERIAL</b>	<b>SPECIFICATION</b>
MATERIAL SEE TABLE	SCALE 1:1	DRAWN ARH	CHECKED APPROVED
UNTOLERANCED DIM'S	FINISH NATURAL	DATE 16:11:00	TITLE MANIFOLD (4LE1)
			DRG NO 890974

E	14:07:08		DGS	NOTE 2. STAMP SERIAL NUMBER INTO EXHAUST BLOCK ADDED.
D	03:04:07		RCB	Ø32 X 3.0 WAS Ø34 X 25
C	16:05:01	1526	ARH	END PLATES WERE CASTINGS. 74.4 & 35 WERE 55 & 36. PLUGS DELETED. Ø20 S/FACE ADDED
B	14:03:01	1517	ARH	Ø34 OUTLET PIPE REPOSITIONED 25mm
A	16:11:00	1505	ARH	FIRST ISSUE
ISSUE	DATE	DIF NO	SIGNED	MODIFICATION