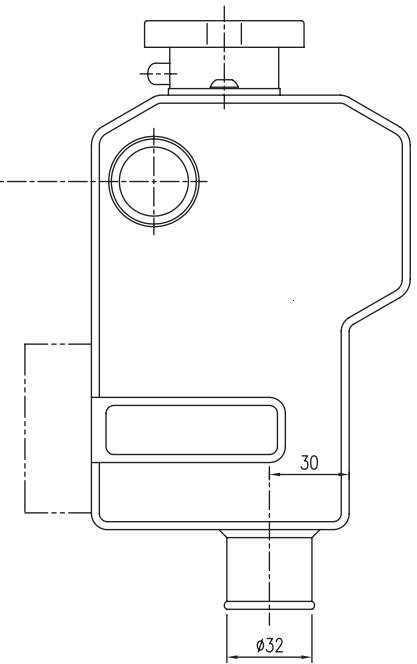
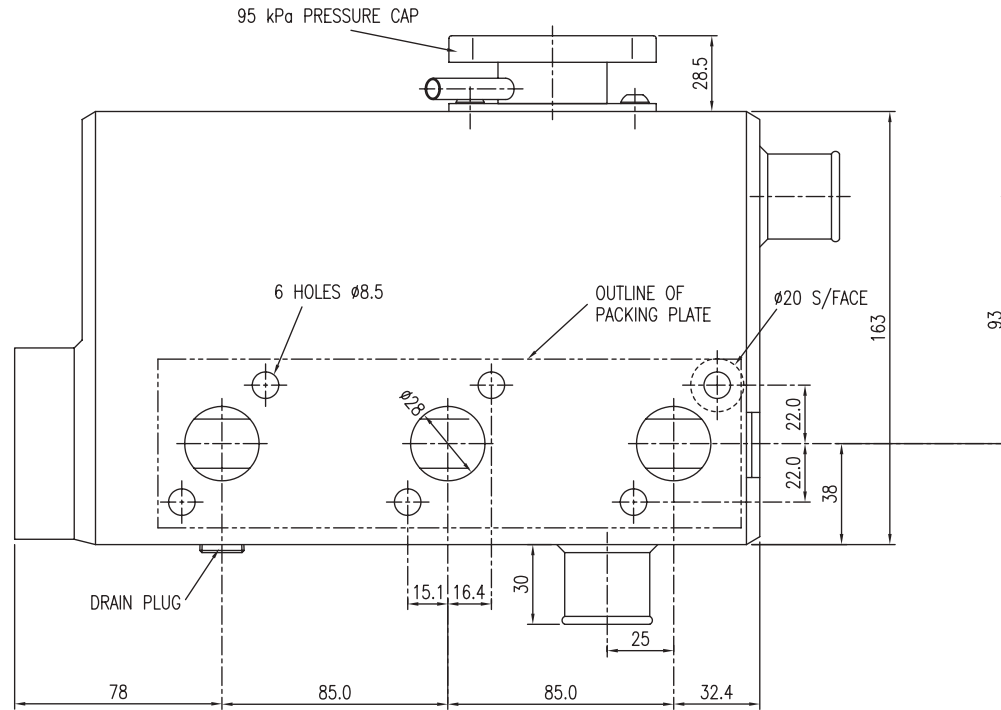
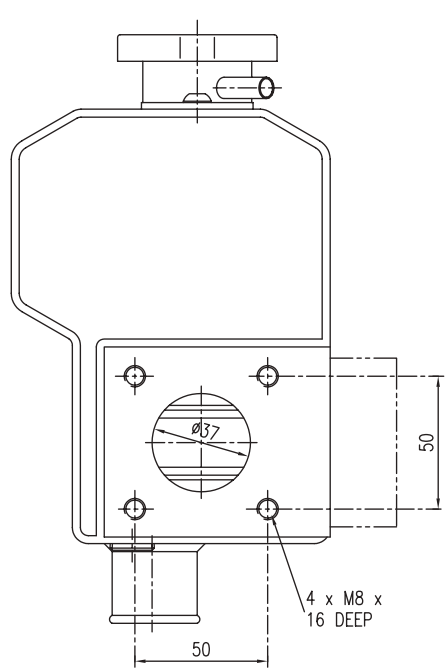
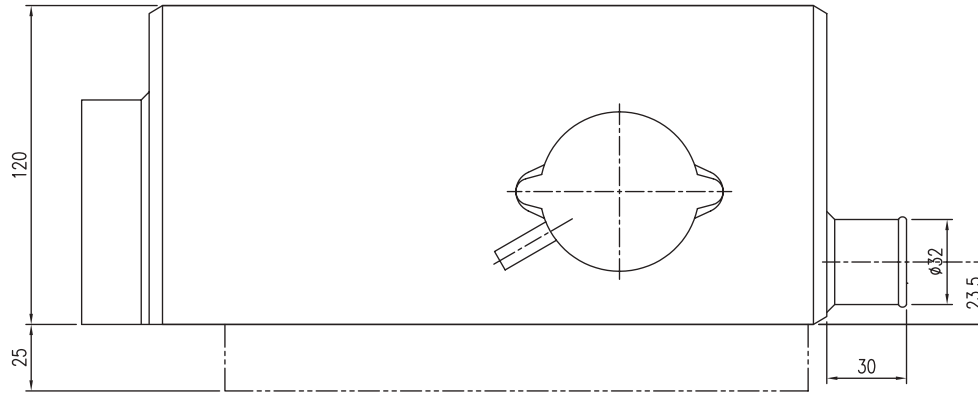


ALL DIMENSIONS IN MILLIMETRES UNLESS SHOWN OTHERWISE DO NOT SCALE, IF IN DOUBT ASK

THIS DOCUMENT IS COPYRIGHT AND CONTAINS
CONFIDENTIAL INFORMATION WHICH MUST
NOT BE COPIED WHOLLY OR IN PART NOR
DISCLOSED TO ANY PERSON WITHOUT THE
PRIOR WRITTEN AUTHORISATION OF
THERMEX LTD.
© THERMEX LTD



NOTES

- TEST PRESSURES
ASSEMBLY 2 BAR(AUW)

ISSUE	DATE	DIF NO	SIGNED	MODIFICATION
D	03:04:07		RCB	Ø32 X 30 OUTLET PIPE WAS Ø34 X 25
C	18:06:01	1528	ARH	DIM 78 WAS 57.6. CAPSCREW FIXINGS DELETED. END PLATES WERE CASTINGS. PLUGS DELETED
B	14:03:01	1517	ARH	Ø34 OUTLET PIPE REPOSITIONED
A	26:10:00	1502	ARH	FIRST ISSUE

PART NO	COMPONENT	MATERIAL	SPECIFICATION
607039	PACKING PLATE	ALUMINIUM	BS1474 6082 T6
700921	END PLATES EXTRUSION	ALUMINIUM ALUMINIUM	BS1470 6082 BS1474 6063 T6
MATERIAL	SCALE	DRAWN	CHECKED
SEE TABLE	1:1	ARH	APPROVED
UNTOLERANCED DIM'S	FINISH	DATE	TITLE
	NATURAL	26:10:00	MANIFOLD (3LB1)
			DRG NO 890971