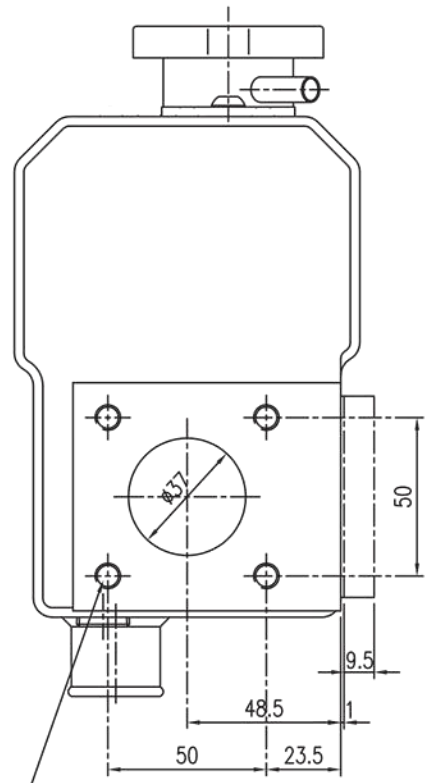
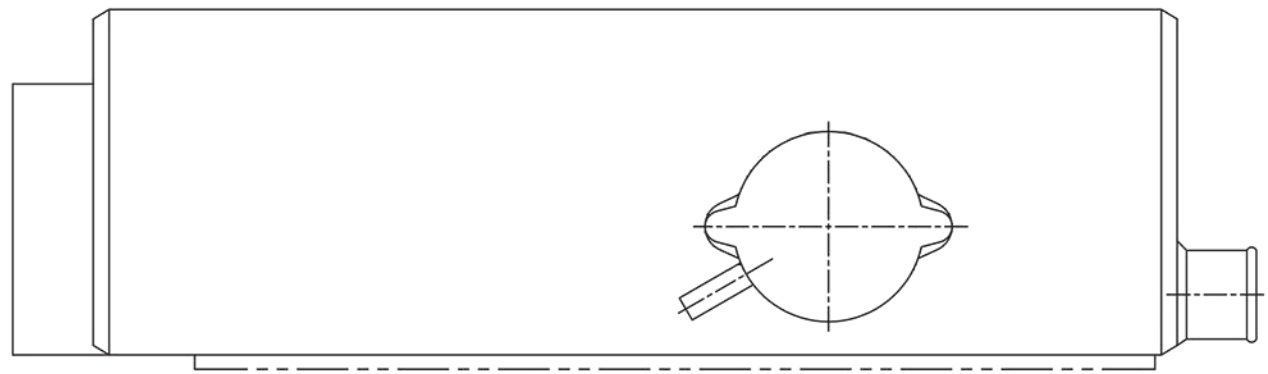


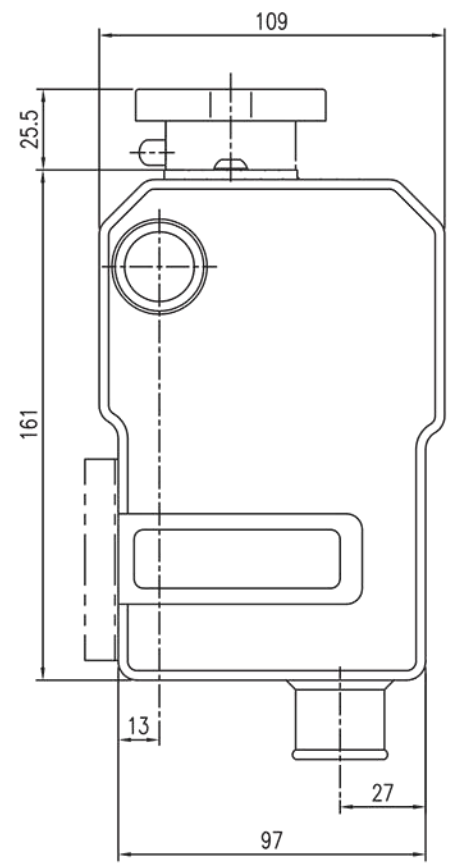
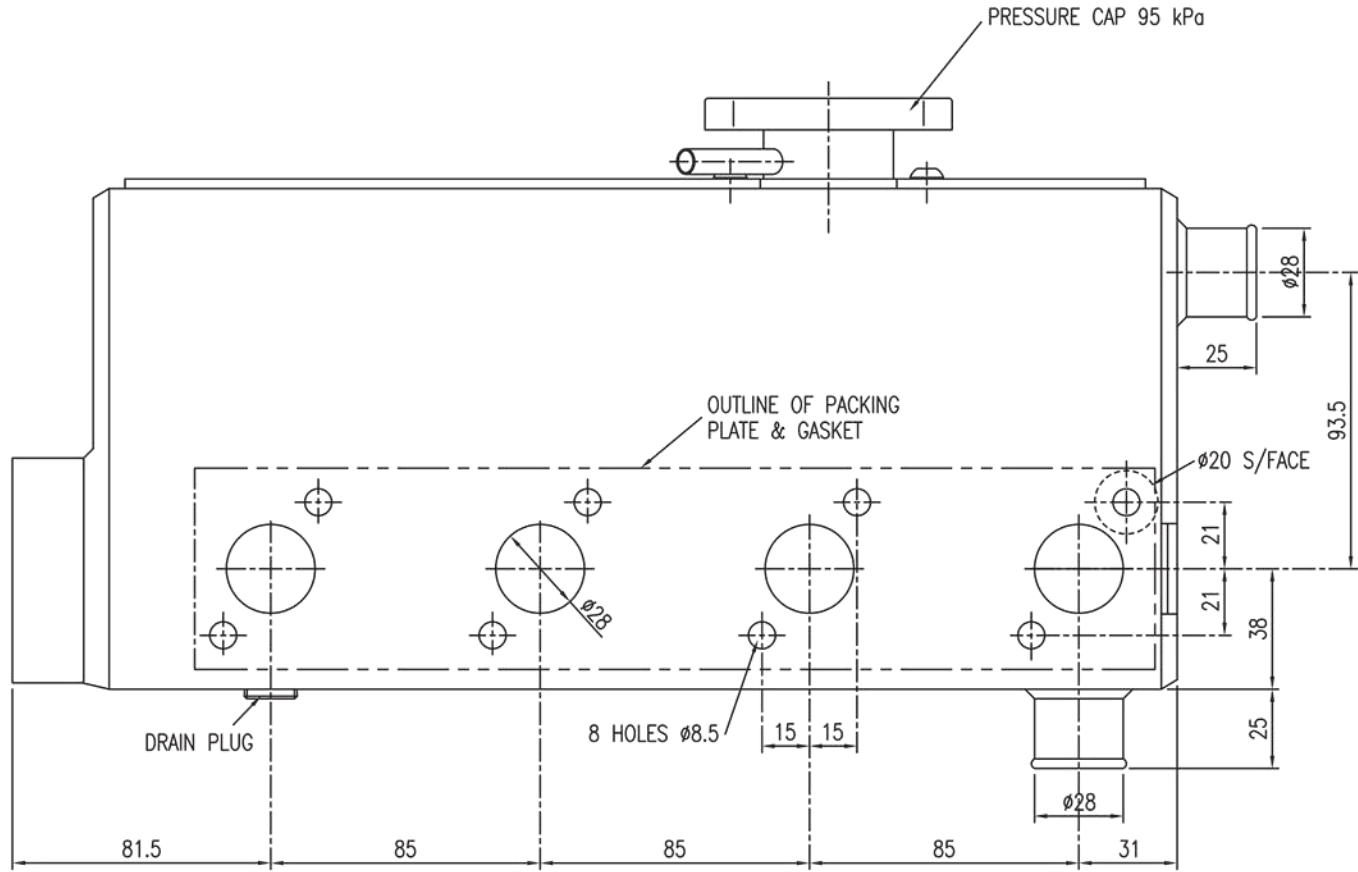


ALL DIMENSIONS IN MILLIMETRES UNLESS SHOWN OTHERWISE DO NOT SCALE, IF IN DOUBT ASK

THIS DOCUMENT IS COPYRIGHT AND CONTAINS CONFIDENTIAL INFORMATION WHICH MUST NOT BE COPIED WHOLLY OR IN PART NOR DISCLOSED TO ANY PERSON WITHOUT THE PRIOR WRITTEN AUTHORISATION OF THERMEX LTD. © THERMEX LTD



4 HOLES M8 x 16 DEPTH THD



NOTES

1. TEST PRESSURES BODY 2 BAR(AUW)

ISSUE	DATE	DIF NO	SIGNED	MODIFICATION
F	11:06:02	1555	ARH	LOGO ADDED
E	22:06:01	1529	ARH	EXHAUST BLOCK WAS FIXED WITH CAPSCREWS. Ø28 INLET PIPE WAS UNBEADED. 81.5 WAS 64.5
D	26:03:01	1520	ARH	CAST END CAPS REPLACED BY PLATES. PLUGS DELETED
C	15:11:00	1505	ARH	700901 WAS 700900
B	10:10:00	1500	ARH	PACKING PLATE & GASKET ADDED
A	10:04:00	1482	ARH	FIRST ISSUE

PART NO	COMPONENT	MATERIAL	SPECIFICATION
695031	GASKET	NOVUS SUPRA	
607041	PACKING PLATE	ALUMINIUM	BS1474 6082 T6
700901	PLATES	ALUMINIUM	BS1470 6082 T6
	EXTRUSION	ALUMINIUM	BS1474 6063 T6

MATERIAL	SCALE	DRAWN	CHECKED	APPROVED	TITLE	DRG NO
SEE TABLE	1:1	ARH			THERMEX LTD REDDITCH U. K	890951
UNTOLERANCED DIM'S	FINISH	DATE	TITLE		DRG NO	
	NATURAL	10:04:00	HEAT EXCHANGER		890951	