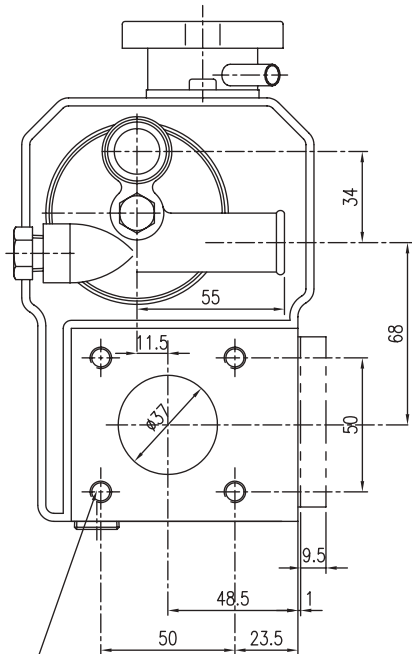
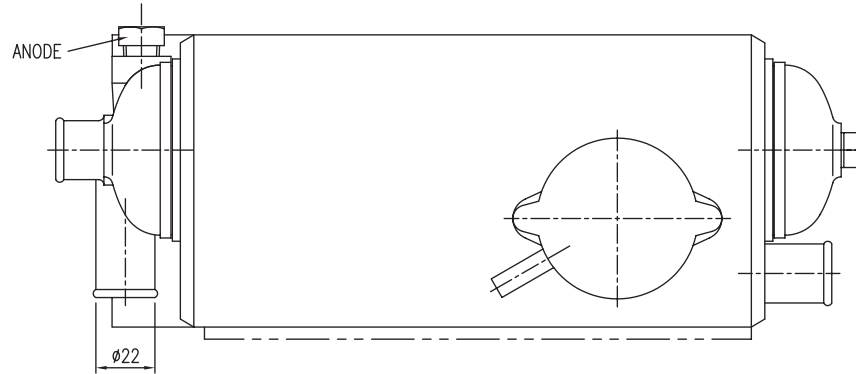
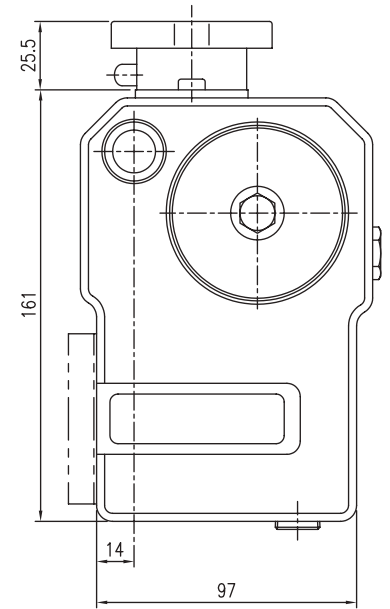
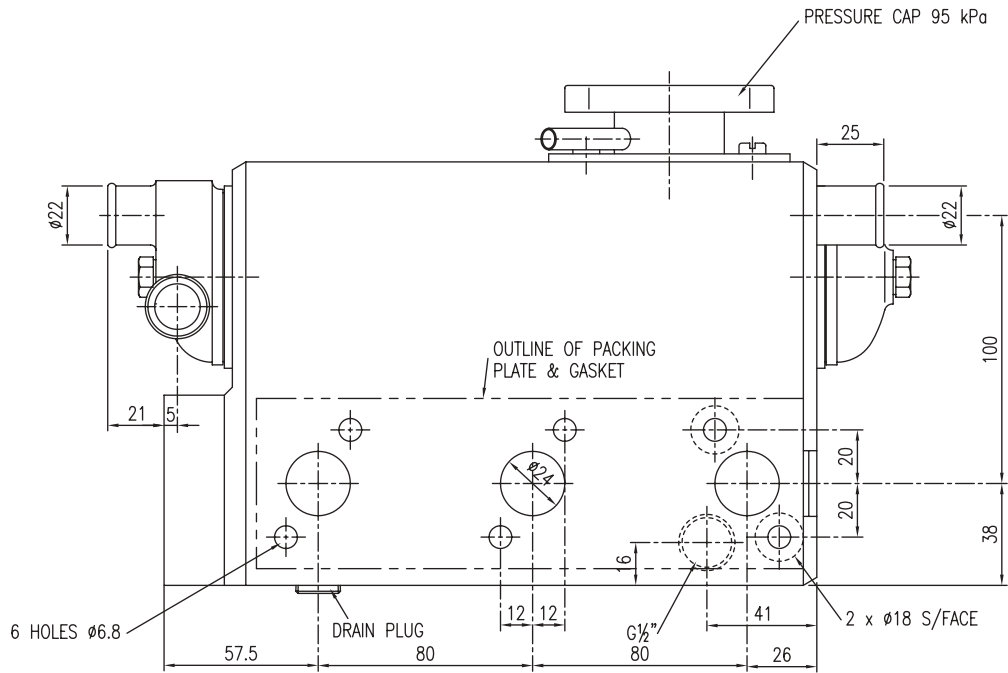


ALL DIMENSIONS IN MILLIMETRES UNLESS SHOWN OTHERWISE DO NOT SCALE, IF IN DOUBT ASK

THIS DOCUMENT IS COPYRIGHT AND CONTAINS CONFIDENTIAL INFORMATION WHICH MUST NOT BE COPIED WHOLLY OR IN PART NOR DISCLOSED TO ANY PERSON WITHOUT THE PRIOR WRITTEN AUTHORISATION OF THERMEX LTD.
© THERMEX LTD



4 HOLES M8 x 16
DEPTH THD



NOTES

- TEST PRESSURES
TUBESTACK & BODY 2 BAR(AUW)
ASSEMBLY (THRO' TUBES) 2 BAR(AUW)

PART NO	COMPONENT	MATERIAL	SPECIFICATION
695044	GASKET	NOVUS SUPRA	
607077	PACKING PLATE	ALUMINIUM	BS1474 6082 T6
400003	O RINGS	NITRILE	
640036/68	HEADERS	GUNMETAL	BS1400 LG2
	PLATES	ALUMINIUM	BS1470 6082
700941	EXTRUSION	ALUMINIUM	BS1474 6063 T6
	TUBEPLATES	NAVAL BRASS	BS2872 CZ112
721024	TUBES	90/10 CUPRO-NICKEL	BS2871 Pt3 CN102
MATERIAL	SCALE	DRAWN	CHECKED
SEE TABLE	1:1	RCB	
UNTOLERANCED DIM'S	FINISH	DATE	TITLE
	NATURAL	07:05:09	HEAT EXCHANGER (BD902)
			DRG NO 893940

ISSUE	DATE	DIF NO	SIGNED	MODIFICATION
A	07:05:09		RCB	FIRST ISSUE