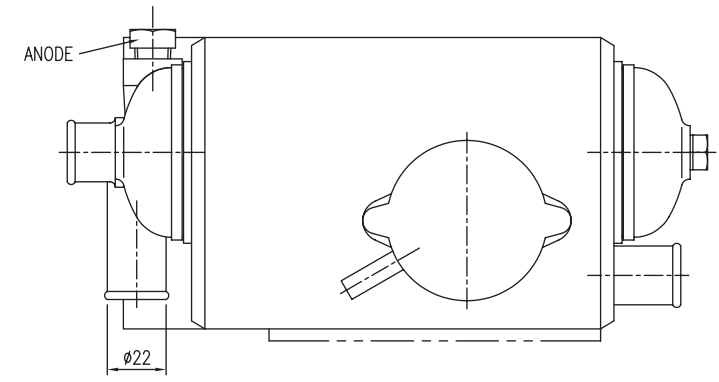
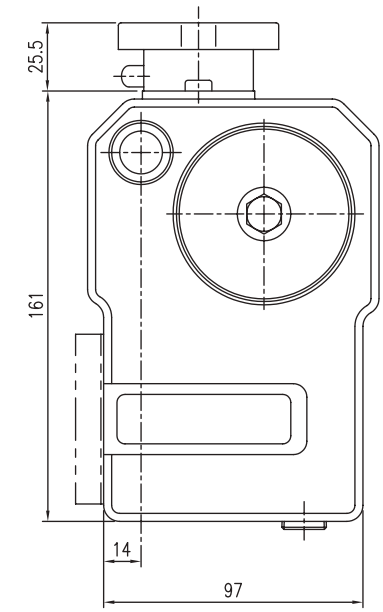
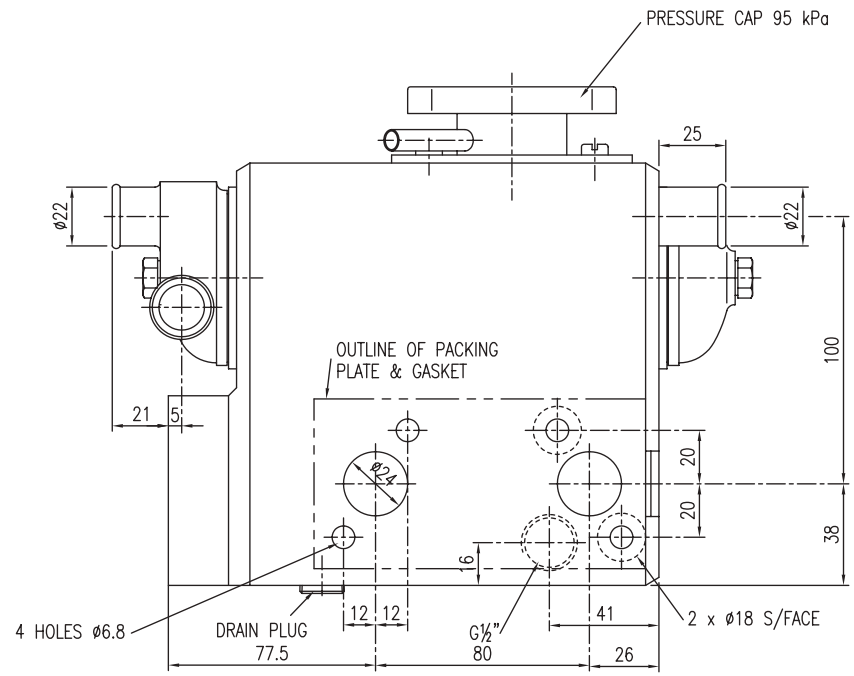
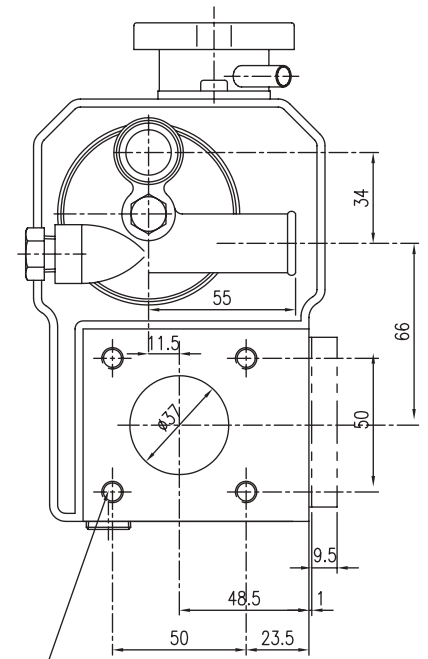


ALL DIMENSIONS IN MILLIMETRES UNLESS SHOWN OTHERWISE DO NOT SCALE, IF IN DOUBT ASK

THIS DOCUMENT IS COPYRIGHT AND CONTAINS
CONFIDENTIAL INFORMATION WHICH MUST
NOT BE COPIED WHOLLY OR IN PART NOR
DISCLOSED TO ANY PERSON WITHOUT THE
PRIOR WRITTEN AUTHORIZATION OF
THERMEX LTD.
© THERMEX LTD



RIBS MACHINED OFF



NOTES

- 1. TEST PRESSURES
TUBESTACK & BODY 2 BAR(AUW)
ASSEMBLY (THRO' TUBES) 2 BAR(AUW)

695043	GASKET	NOVUS SUPRA	
607073	PACKING PLATE	ALUMINIUM	BS1474 6082 T6
400003	O RINGS	NITRILE	
640036/68	HEADERS	GUNMETAL	BS1400 LG2
700938	PLATES	ALUMINIUM	BS1470 6082
721088	EXTRUSION	ALUMINIUM	BS1474 6063 T6
	TUBEPLATES	NAVAL BRASS	BS2872 CZ112
	TUBES	90/10 CUPRO-NICKEL	BS2871 Pt3 CN102

A	15:07:10	RCB	FIRST ISSUE	
ISSUE	DATE	DIF NO	SIGNED	MODIFICATION

PART NO	COMPONENT	MATERIAL	SPECIFICATION
SCALE	DRAWN	CHECKED	APPROVED
SEE TABLE	1:1	RCB	
UNTOLERANCED DIM'S	FINISH	DATE	TITLE
	NATURAL	15:07:10	HEAT EXCHANGER (BZ602)
			DRG NO 893941