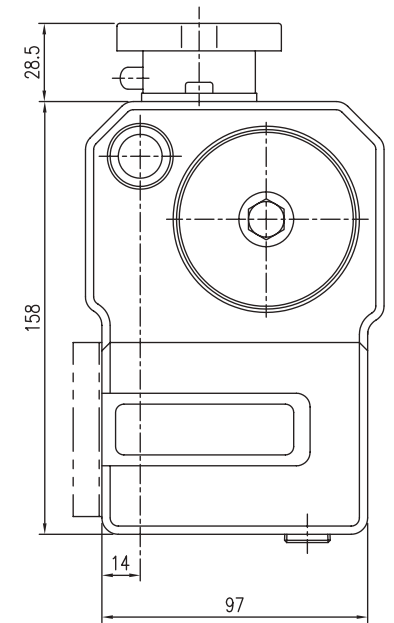
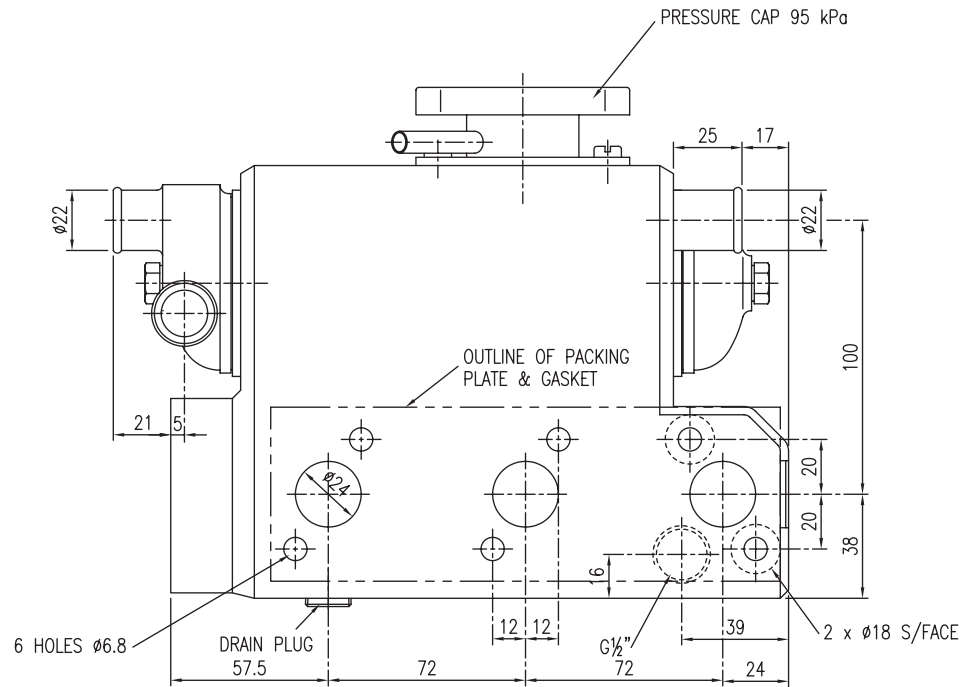
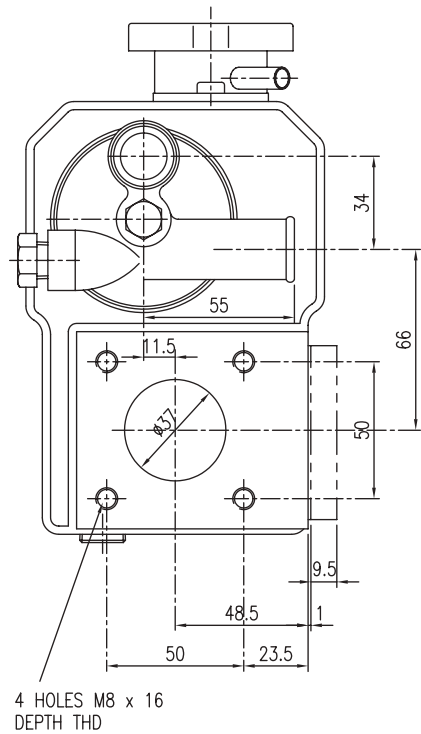
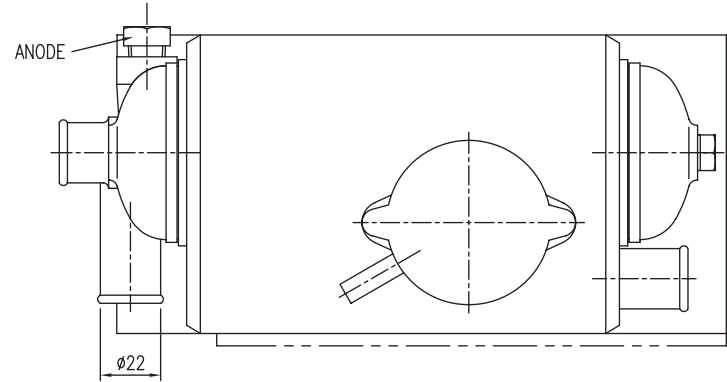


ALL DIMENSIONS IN MILLIMETRES UNLESS SHOWN OTHERWISE DO NOT SCALE, IF IN DOUBT ASK

THIS DOCUMENT IS COPYRIGHT AND CONTAINS
CONFIDENTIAL INFORMATION WHICH MUST
NOT BE COPIED WHOLLY OR IN PART NOR
DISCLOSED TO ANY PERSON WITHOUT THE
PRIOR WRITTEN AUTHORISATION OF
THERMEX LTD.
© THERMEX LTD



NOTES

- TEST PRESSURES
TUBESTACK & BODY 2 BAR(AUW)
ASSEMBLY (THRO' TUBES) 2 BAR(AUW)

695035	GASKET	NOVUS SUPRA	
607051	PACKING PLATE	ALUMINIUM	BS1474 6082 T6
400003	O RINGS	NITRILE	
640036/68	HEADERS	GUNMETAL	BS1400 LG2
BODY	PLATES	ALUMINIUM	BS1470 6082
700914	EXTRUSION	ALUMINIUM	BS1474 6063 T6
TUBESTACK	TUBEPLATES	NAVAL BRASS	BS2872 CZ112
721023	TUBES	90/10 CUPRO-NICKEL	BS2871 Pt3 CN102

PART NO	COMPONENT	MATERIAL	SPECIFICATION
SEE TABLE	SCALE 1:1	DRAWN ARH	CHECKED APPROVED
UNTOLERANCED DIM'S	FINISH NATURAL	DATE 03:07:03	TITLE HEAT EXCHANGER (D722)

THERMEX LTD REDDITCH U. K

DRG NO
890945

A	03:07:03	1584	ARH	FIRST ISSUE
ISSUE	DATE	DIF NO	SIGNED	MODIFICATION