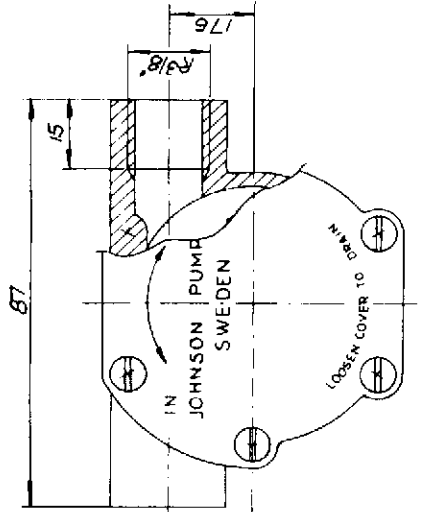


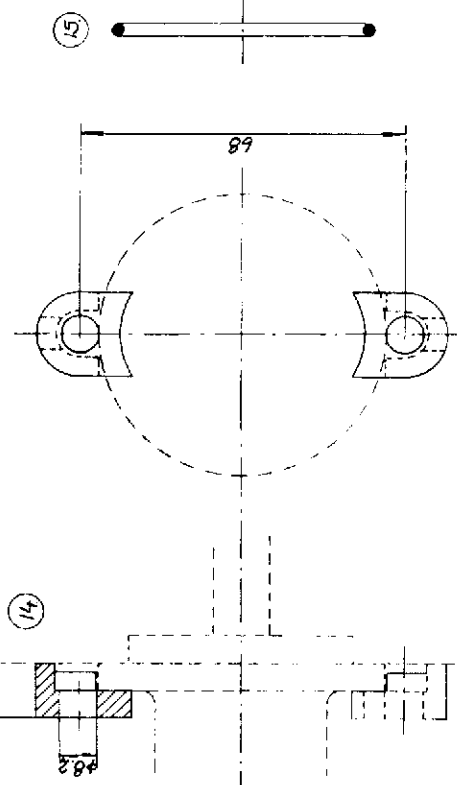
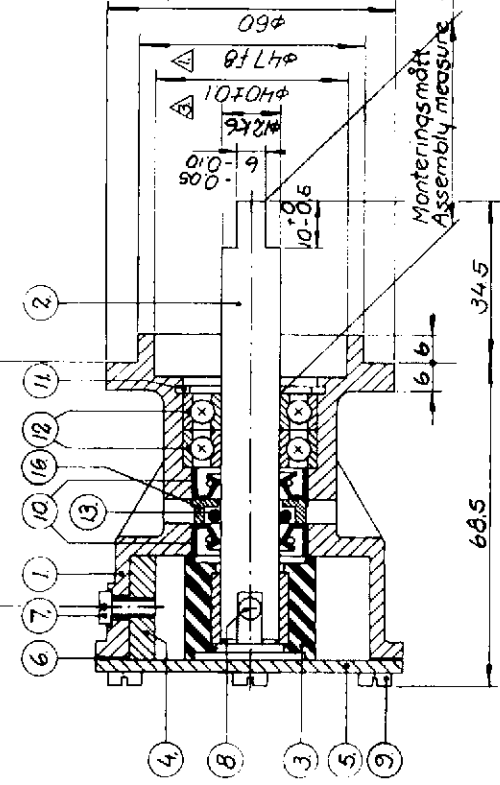
Rev. / Andring	date / Datum	Sign.
300	88-10-24	JT
23404	10-35127-2 EILK	TE
1221205	Mark of engine not changed	S

Markes på lock	F4B-9	05-08-503	05-08-130
Pump nr + Pumpnr + Veckokod	F4B-9	10-35127-1	F4B-9
Mark on endcover		10-35127-2	
Pump nr.		10-35127-2	

Mått till anslutning
Measure to the part 51.3



Monteringsmått
Assembly measure 40.8 ± 0.10



Part No / Del nr	Description / Beskrivning	Material	Dimension	Draw. No. / Ritn. nr
16	1 Distansbricka	Spacer		01-45955
15	1 O-ring	O-ring	40.8 × 2.4	See table
14	2 Klamma	Clip		01-43238
13	1 O-ring	O-ring		05-06-513
12	3 Kullager	Ballbearing		See table
11	1 Låsring	Retaining ring		05-34-131
10	2 Lappplattning	Lipsteel		05-23-189
9	6 Skruv	Screw		05-04-163
8	1 Skruv	Screw		05-04-124
7	1 Skruv	Screw		05-04-114
6	1 Packning	Gasket		01-45284
5	1 Lock	Endcover		01-45282
4	1 Kam	Cam		01-42389
3	1 Impeller	Impeller		08-810 B
2	1 Axel	Shaft		01-45353
1	1 Pumphus	Body		01-35099-2

Tolerances unless otherwise noted
Tolerans där ej annat anges

Sharp edges broken
Skarpa kanter brytes

Unmachined surface
Urbearbetad yta

Bezeichnet für
EIT 1172

Bezeichnet für
EIT 1172

Radius unless otherwise noted
Radie där ej annat anges

Blind

Scale
Skala 1:1

Date
Datum 16.4.1980

Sign.
Sign. t.

Title
Titel Johnson pump AH

Johnson Pump AB

ÖREBRO SWEDEN

03.08.11.95.50

Draw. No 10-35127/P05

134302	Det nr. 16 EILK	86-07-17	TE
1	447FB var 44699/46965	92-04-06	t.
	Revision	Date	Sign.
	Andring	Datum	