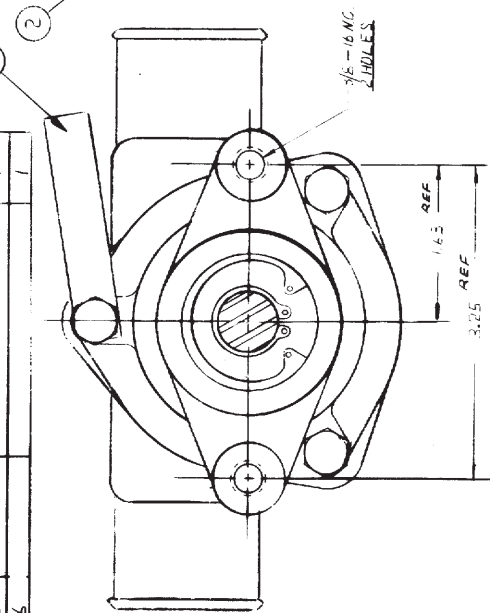
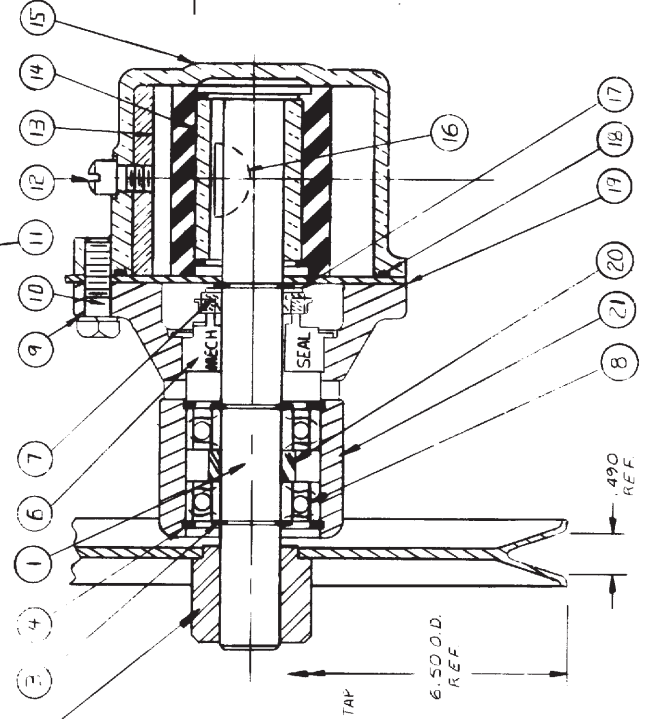
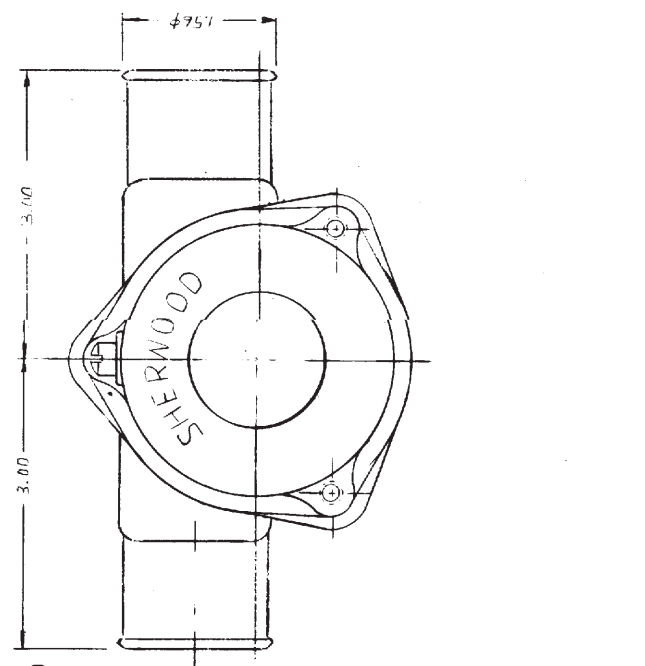
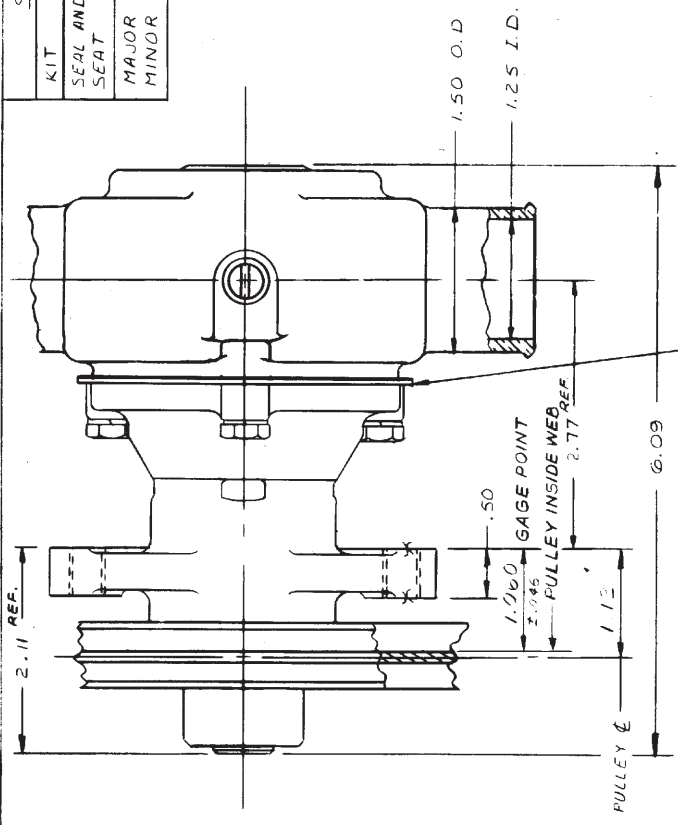


PARTS LIST

ITEM	PART NO.	DESCRIPTION	REQ'D
1	19570	SHAFT	1
2	15055	PULLEY ASSEMBLY	1
3	4258	RET. RING EXT.	3
4	4259	RET. RING INT.	2
5	13285	TAG	1
6	12314	MECH SEAL	1
7	12256	SEAL SEAT	1
8	12211	BALL BEARING	2
9	12710	1/4 LIGHT LOCKWASHER	3
10	12857	CAPSCREW 1/4-20X7/8	3
11	12856	END PLATE	1
12	10515	SCREW 1/4-20X 3/8	1
13	18314	CAM (230)	1
14	15000	IMPELLER	1
15	17884	HOUSING	1
16	4432	N#9 WOODRUFF KEY	1
17	4264	THRUST WASHER	1
18	12231	O RING	1
19	12855	GASKET	1
20	5733	SPACER BRG	1
21	12227	BODY	1
22	17659	CARTON	1
23	2209	LABEL	1
24	17653	JIFFY BAG N#5	1
25			1
26			1

SERVICE KIT	
KIT	ITEM N#S
SEAL AND SEAT	12859 6 (1) & 7 (1)
MAJOR REPAIR KIT #	
MINOR REPAIR KIT #	15979



STAMP MODEL N#1; DATE CODE ON N#13285 TAGS AND ATTACH AS SHOWN

UNLESS OTHERWISE SPECIFIED
TOLERANCE TO BE
CART DIMENSION ± .030
MACHINED DIMENSION
FRACTIONAL ± .010
DECIMAL ± .008
ANGLES ± 1/8°
MACHINED SURFACE ROUGHNESS
ALLOW 1/16 STOCK ON ALL FINISHED
SURFACES FOR MACHINING.
BREAK ALL SHARP EDGES .010 MAX.
CART FILLETS AND RADI 1/16 R

SHERWOOD.
A DIVISION OF HYPRO CORPORATION
181 E. JEFFERSON AVE. - DETROIT, MICHIGAN 48201

DRAWN	CHECKED	DATE	INQUIRY NO.
KE	AVB	4/9/91	778

TITLE: RUBBER IMPELLER PUMP
DRAWING NO: 6151
SEE DETAILS

APP: TGS
DATE: 2-26-92
REV: 1
DESCRIPTION: A WAS 18269 TO 18314