

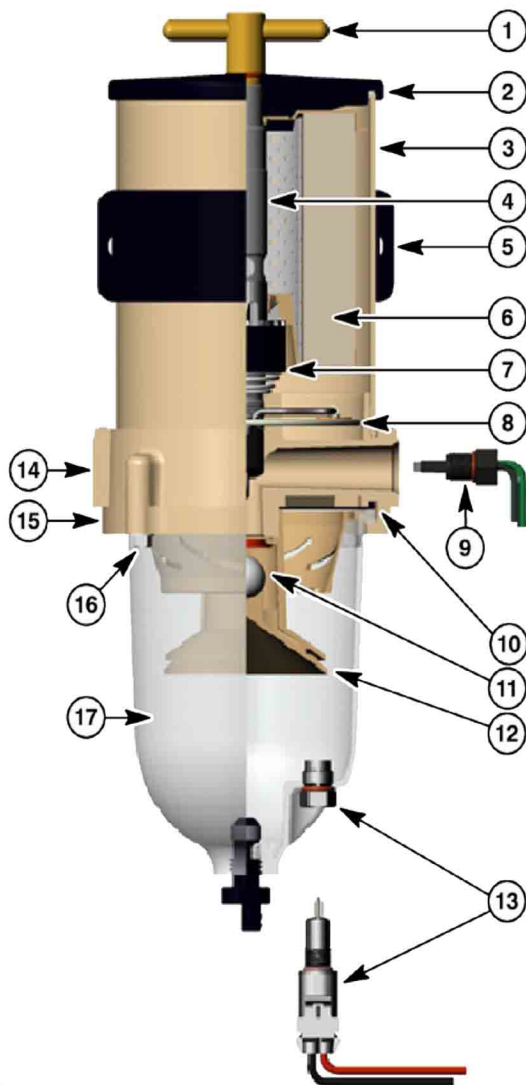
RACOR 900 TURBINE REPLACEMENT PARTS

900FH Replacement Part List

<u>Part Number</u>	<u>Description</u>
1. RK11-1945 11350	T-handle and O-ring Kit (9/16" -18 UNF Threads) T-handle O-ring
2. RK11-1927-01 11007	Lid and Lid Gasket Kit Lid (and Bowl) Gasket
3. RK19002-03	Outer Cylinder Kit
4. RK11-1931	Return Tube Kit
5. RK11815-103	Mounting Bracket (hardware included)
6. (All replacement elements include seals) 2040SM-OR 2040TM-OR 2040PM-OR	2 Micron Element 10 Micron Element 30 Micron Element
7. RK11-1953	Valve, Spring & O-ring Kit
8. (Heater kits include item #9) RK11-1800-01 ¹ RK11-1800-02 ¹	Heater Kit (12 vdc, 300 watt) Heater Kit (24 vdc, 300 watt)
9. RK21067 RK11-1679	Feed-thru Assy Kit (for heater) Feed-thru Plug Kit (not shown)
10. 11007	Bowl (and Lid) Gasket
11. RK11028B	Check Ball with Seal Kit
12. RK11-1939	Centrifuge/Conical Baffle Kit
13. RK32204 ² RK22838	Water Sensor Probe Kit Water Probe Port Plug Kit
14. RK11-1776-01 RK11-1776-02	Body Kit (with 7/8" -14 UNF ports) Body Kit (with 22M X 1.5 Ports)
15. RK11037A	Bowl Ring Kit (5" Diameter)
16. RK11542	Capscrew Kit (quantity - 4)
17. RK11-1938	See-thru Bowl Kit (includes bowl, drain, bowl gasket and probe plug)

Additional Parts (not shown)

RK11-1952 Complete Seal Service Kit



Notes:

In-filter heater kits require a Heater relay kit. Maximum power requirements for in-filter heaters are: 25 amps for 12 vdc and 12.5 amps for 24 vdc.

Water probe must be used with water detection kit. Water probe features a detachable harness connector.

We have 3 bowl options. Please contact our sales office and we will advise part numbers



CLEAN FUEL - CLEANER BURN