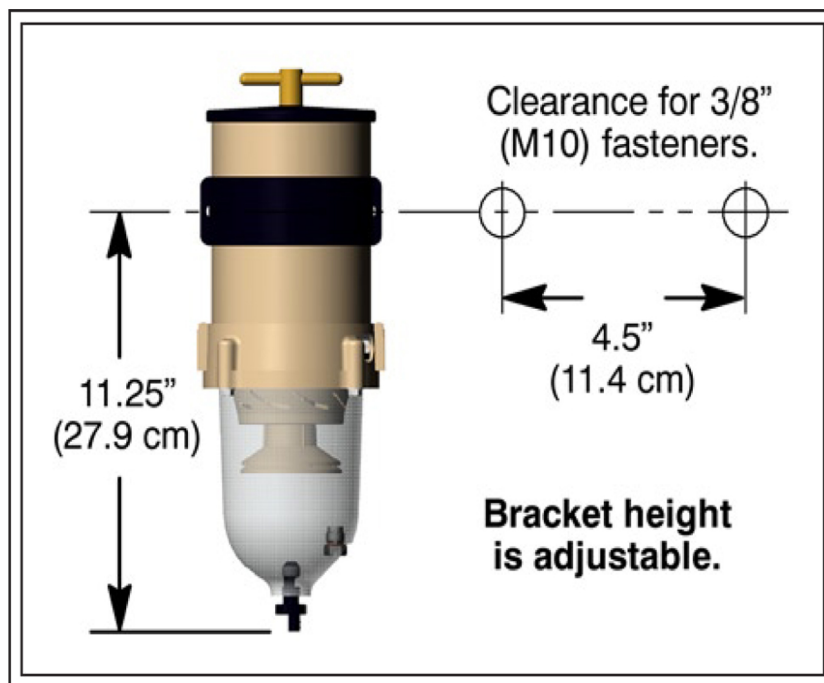
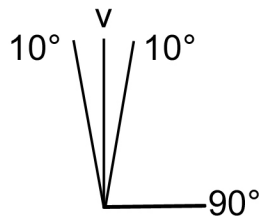


## MOUNTING INSTRUCTIONS 900 FH TURBINE



**PLEASE NOTE:** Mount filter assembly as close to vertical (V) as possible. For best efficiency, do not exceed 10° from V.



CLEAN FUEL - CLEANER BURN