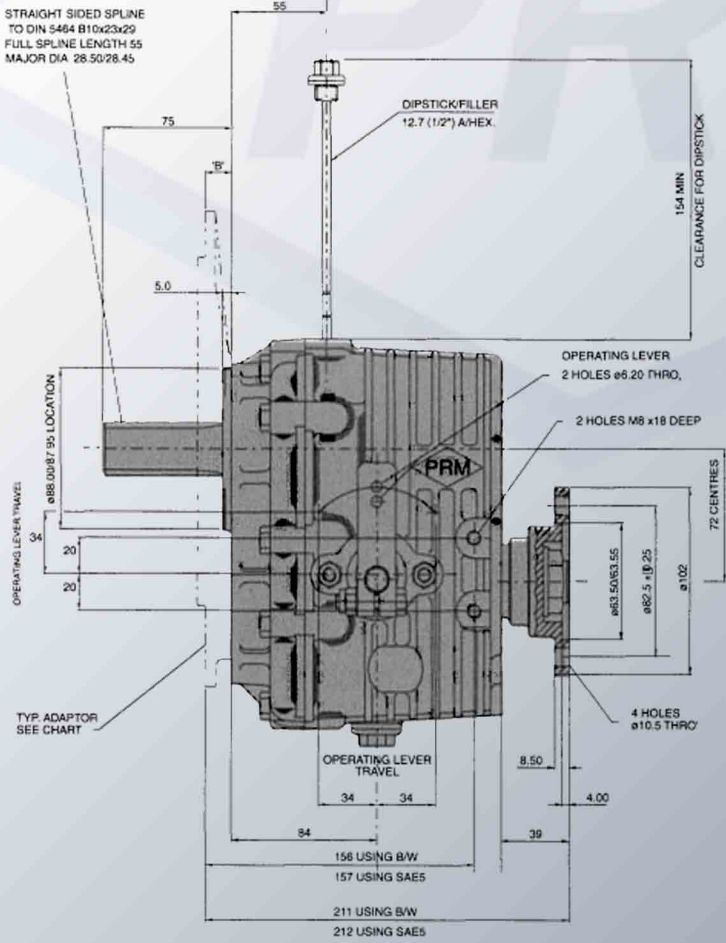
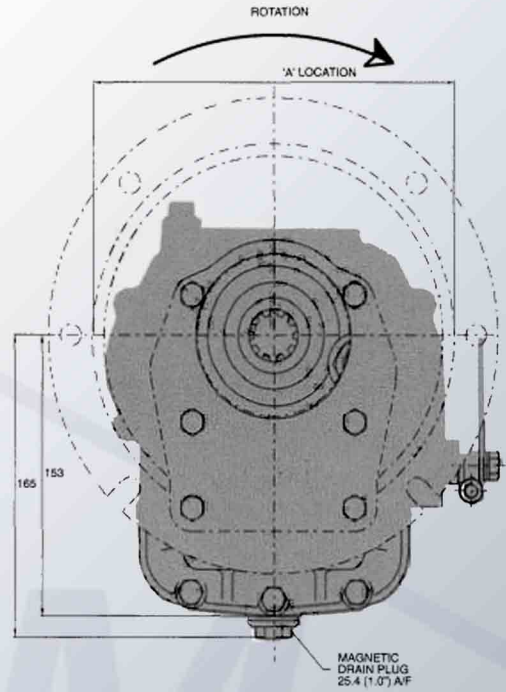
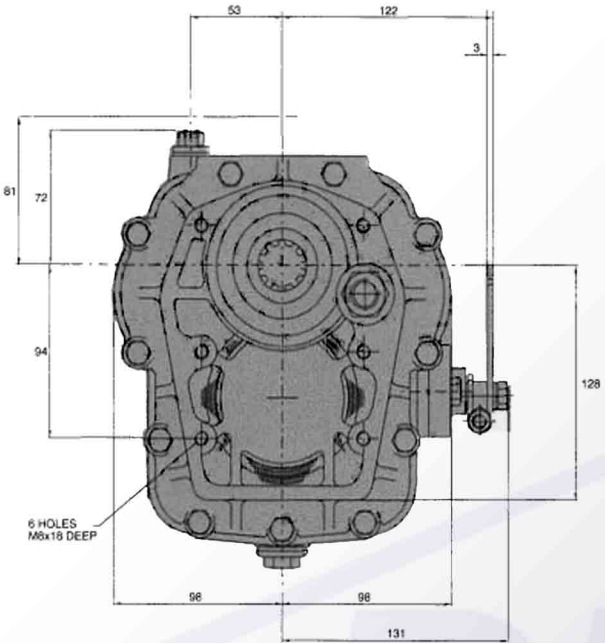




PRM80

BASIC INSTALLATION DATA



IMPORTANT NOTE

All information given in this leaflet is correct at the time of going to press. However, in the interests of technical progress, design specifications are subject to change without notice. Accordingly data given herein should be regarded as a general guide only and does not form part of any contract. Any specific performance requirements must be made known to us in writing with customer order of goods. Illustrations are approximate only and do not form part of any contract with us, certified installation drawings are available on request. All goods are supplied in accordance with our standard terms and conditions of sale.

ADAPTORS	Ø 'A'	'B'
	mm	mm
SAE5	314.33	16.0
B/W	209.55	15.0

The maximum fore and aft installation angle permissible at rest in 15°



Reed House, Ellough Industrial Estate, Beccles, Suffolk NR34 7TD
 Tel: 0845 1300 870 or 01502 716 993 Fax: 0800 316 2727 or 01502 711 680
 www.asap-supplies.com sales@asap-supplies.com