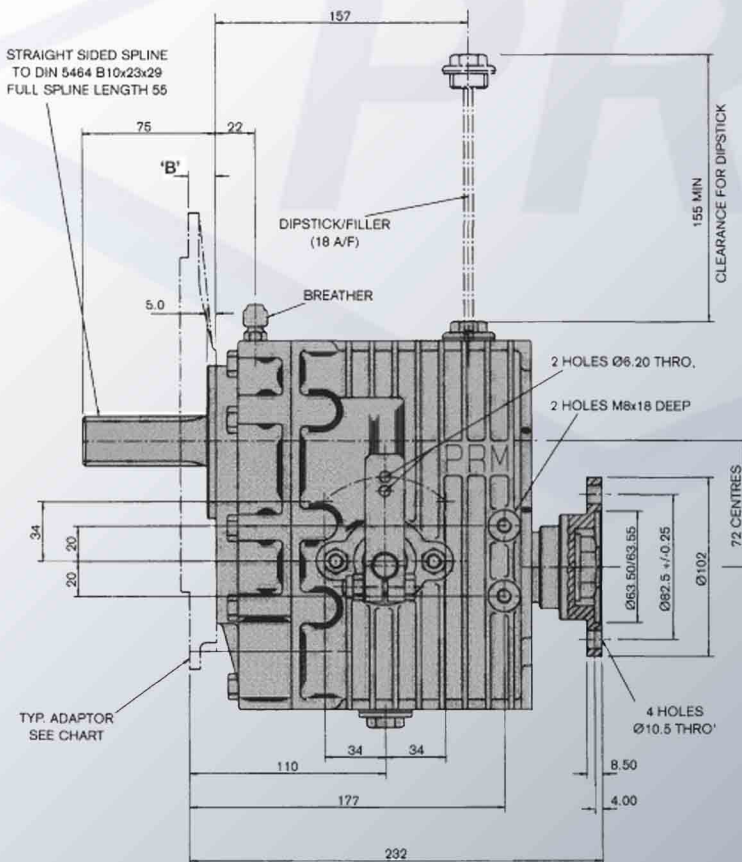
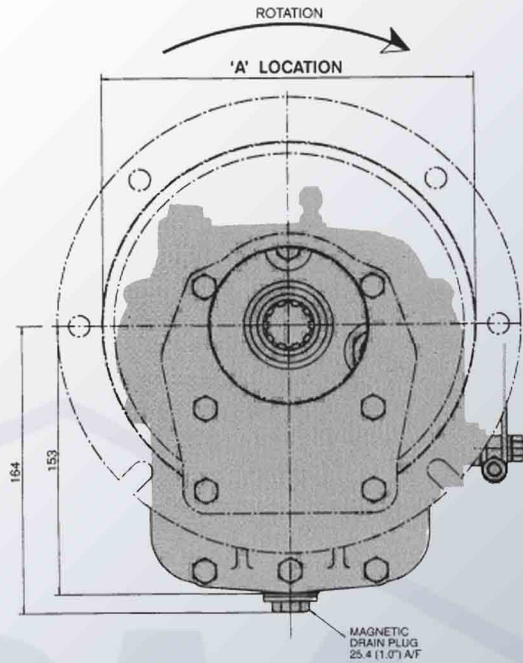
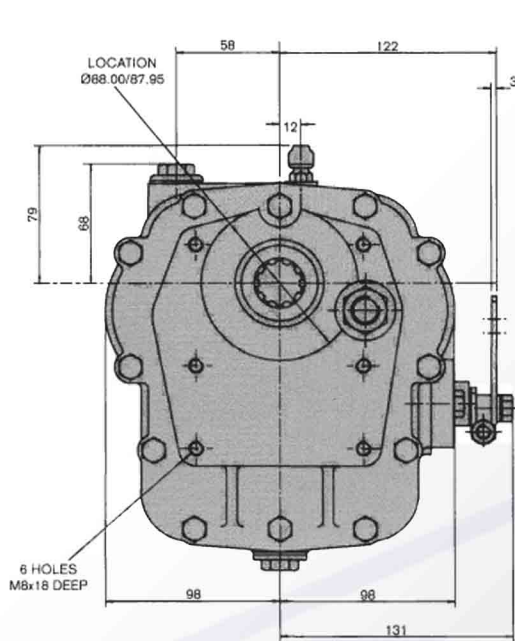


PRM120/125

BASIC INSTALLATION DATA



IMPORTANT NOTE

All information given in this leaflet is correct at the time of going to press. However, in the interests of technical progress, design specifications are subject to change without notice. Accordingly data given herein should be regarded as a general guide only and does not form part of any contract. Any specific performance requirements must be made known to us in writing with customer order of goods. Illustrations are approximate only and do not form part of any contract with us, certified installation drawings are available on request. All goods are supplied in accordance with our standard terms and conditions of sale.

The maximum fore and aft installation angle permissible at rest in 15°

ADAPTORS	Ø 'A'	'B'
	mm	mm
SAE5	314.33	16.0
B/W	209.55	15.0