



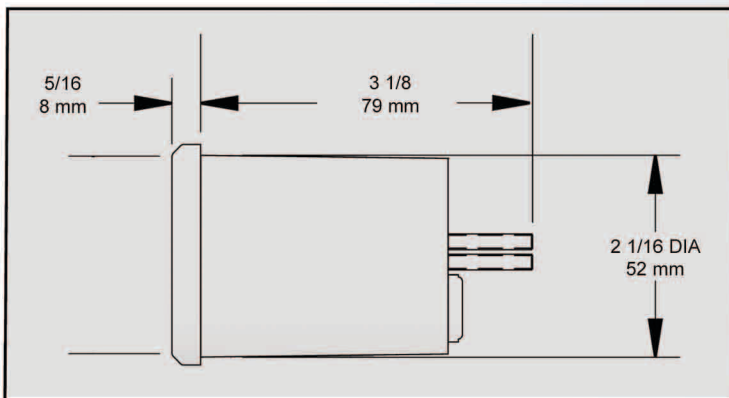
2 inch Industrial Tachometer



Features:

- Alternator Input
0-1500 RPM
0-3000 RPM
- Min. Frequency: 630 Hz
- Max. Frequency: 1200 Hz
- Min. Voltage: 8 VDC
- Max. Voltage: 48 VDC
- 3 Connecting Wire Leads 4 inches long - 102 mm

SPECIFICATIONS			
PART NUMBER	RPM	BEZEL	POINTER
FAR-TC9256	0-1500 RPM	Black Bezel	White Pointer
FAR-TC9261	0-3000 RPM	Black Bezel	White Pointer
FAR-TC9282	0-3000 RPM	Stainless Steel Bezel	Red Pointer



UK Tel: 0845 1300 870 Sales Fax: 0800 316 2727
 Int. Tel: +44 1502 716 993 Fax: + 44 1502 711 680
 Email: sales@asap-supplies.com
 www.asap-supplies.com