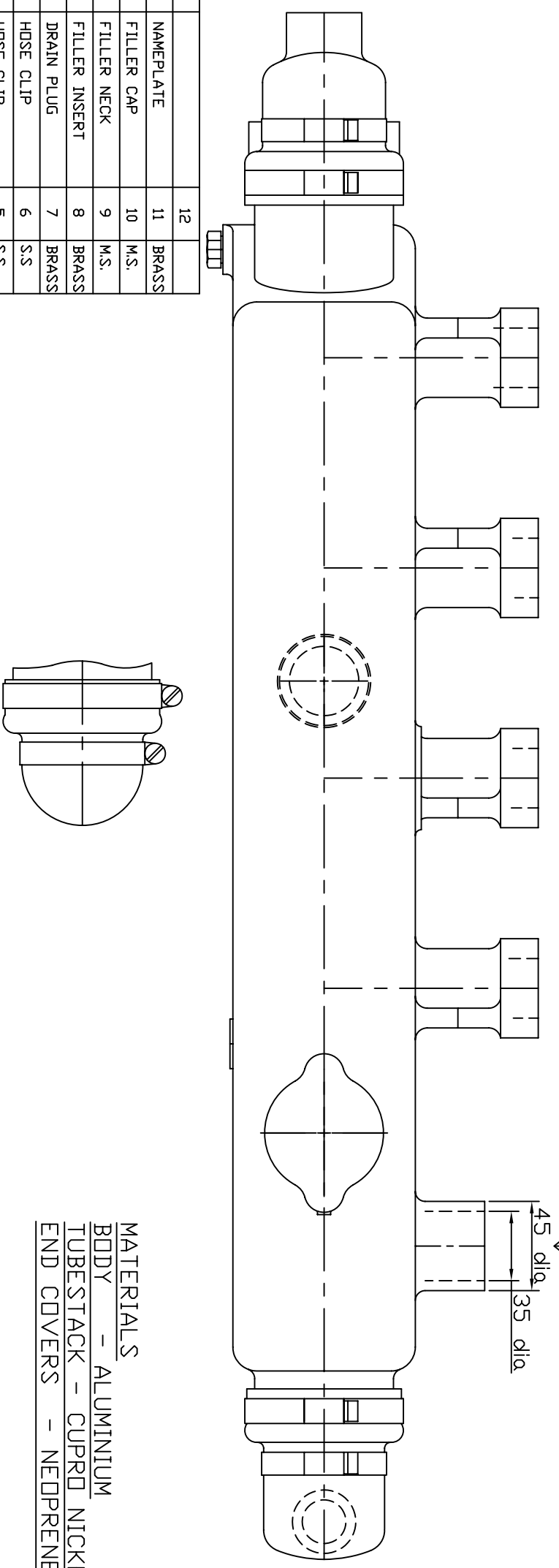
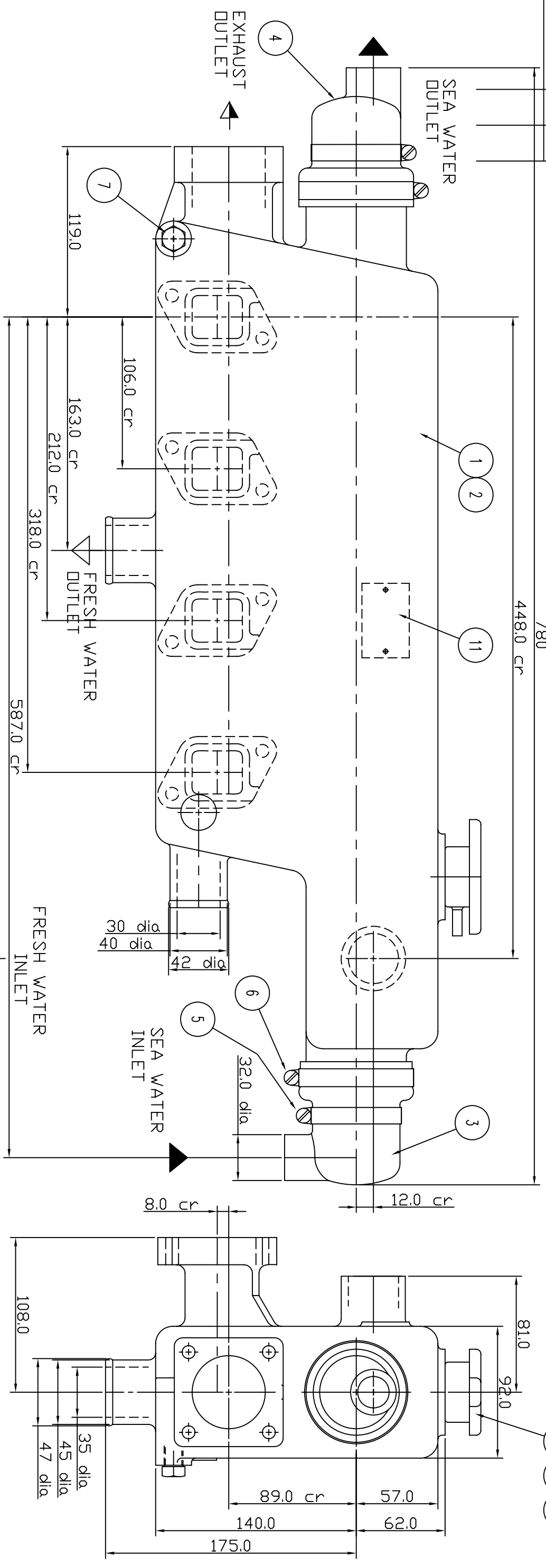
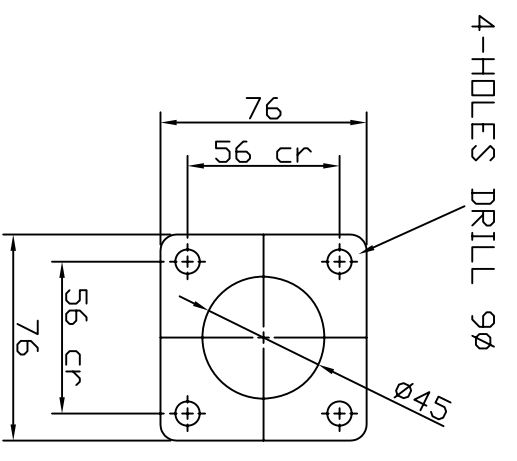
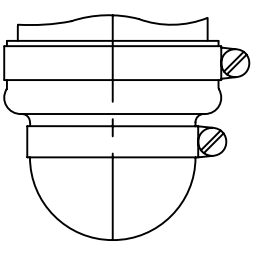


THIS DRAWING IS STRICTLY PRIVATE AND CONFIDENTIAL AND IS THE SOLE PROPERTY OF E.J.BOWMAN (BIRMINGHAM) LTD. IT IS SUBJECT TO BOTH COPYRIGHT AND DESIGN RIGHT PROTECTION. ANY REPRODUCTION OF THIS DRAWING IN PART OR WHOLE SHALL BE MADE ONLY WITH THE WRITTEN CONSENT OF A DIRECTOR OF THE ABOVE COMPANY.

ISS No	MODIFICATION	DATE	SIGN
2	UNIT MODIFIED TO SUIT 4.0L ENGINE SEE CASTING DRG.	23-11-05	GSB
3	SEA WATER OUTLET COVER WAS 2679	02-03-07	JS



PART No	DRG No	No	QTY	DESCRIPTION	ITEM	MAT.
3594		1	1	NAMEPLATE	11	BRASS
2753		1	1	FILLER CAP	10	M.S.
2755		1	1	FILLER NECK	9	M.S.
3469		1	1	FILLER INSERT	8	BRASS
1/4" BSP 915		1	1	DRAIN PLUG	7	BRASS
NO.312		2	2	HOSE CLIP	6	S.S.
NO.237		2	2	HOSE CLIP	5	S.S.
3251		1	1	END COVER	4	N-PRENE
2679		1	1	END COVER	3	N-PRENE
518-693TN1		1	1	TUBESTACK	2	CN10
IS10		5000	1	MANIFOLD BODY	1	AL.



**MATERIALS**  
 BODY - ALUMINIUM  
 TUBESTACK - CUPRO NICKEL 90/10  
 END COVERS - NEOPRENE

FOR ASSEMBLY AS KEEL COOLED UNIT OMIT END COVERS AND TUBESTACK, FIT BODY TUBE No. 518-686B AND BLANK END COVERS DRG No. 3419 MARK UP NAMEPLATE 5001 KC

▲ SEA WATER FLOW

▽ FRESH WATER FLOW

ALL DIMENSIONS ARE IN MILLIMETRES

E.J. BOWMAN (BIRMINGHAM) LIMITED  
 CHESTER STREET  
 BIRMINGHAM B6 4AP

DATE: 6-5-05  
 DRAWN: G. S. BRADLEY  
 CHECKED: G. S. BRADLEY  
 DATE: 7 JUNE 05  
 REVISION: MANIFOLD ASSEMBLY TYPE NO. IS277

SCALE: 1:1  
 DRAWING NUMBER: 5001